

# Catalogue 2026

## Products and accessories



- House and garden
- Professional gardening
- Pest control

Garden

- Construction
- Cleaning
- Disinfection
- Automotiv
- Food industry
- Metal industry

Industry

- Nozzles
- Triggers
- Spray booms
- Extension tubes
- Spray hoods
- Etc.

Accessories



Made in Switzerland

# CONTENT

## GARDEN

	Page
Table of contents	2 / 3
New products	4 / 5
Important and news	6 / 7 / 8 / 9 / 10 / 11

Hand sprayers	
Foxy Plus, 360° / Foxy	14
Solution, 360°	14
Recyclution 0.5, 360°	<b>New</b> 15
Grill Star 0.5	<b>New</b> 15
Melua 0.5, 360°	15
Wespi 0.5, 360°	15
Super Star 1.25, 360°	16
Accu Star 1.5, 360°	<b>New</b> 16
Urban Star 1.75, 360°	16
Rose Star 1.25, 360°	17
Florajet	17

Applicators	
Aquamix 1.25 V (0.2% / 0.5% / 1.0% / 2.0%)	18
AquaNemix 1.25 V	18

Powder dusters / Spreader	
Bobby 0.5	18
Granomax 5	19
DR 5 / e-DR 5	22
XL 8 D Telescopic lance	22

Petrol can / Funnels	
Petrol can Rapido 6	19 / 43
Funnels	19

Battery compressor	
TLK 35	<b>New</b> 20
e-DR 5 / e-Profi 7	<b>New</b> 22 / 25

Compression sprayers manual and with battery	
Hobby Star 5	23
Garden Star 3 / Garden Star 5 / Accu Star 8	24
Profi Star 3 / Profi Star 5 / e-Profi 7	<b>New</b> 25
Organic Star 5	26

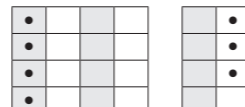
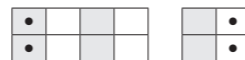
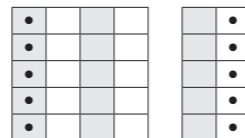
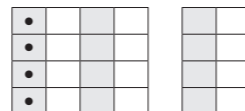
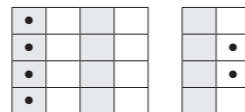
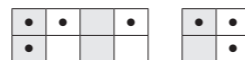
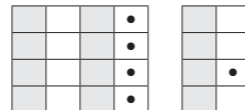
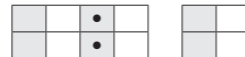
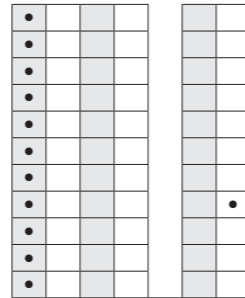
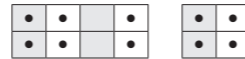
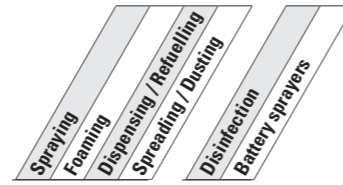
Backpack sprayers manual	
Organic Star 15	26
RPD 15 ABR	28
RPD 15 ATS	29
Flox 10, Iris 15 with adjustable pressure control valve	30 / 31

Battery spray blower for	
REB 15 AC1 / REC 15 AC1 / REX 15 AC1 / A 50 AC1 / C 50 AC1 / C 50 AC3 / A 75 AC1 / A 130 AC1 / BM 1035 AC1	
AS 1200 GR1 / AS 1200 GR2	<b>New</b> 32

Backpack sprayers with battery	
Organic Star 15 Accu	27
REA 15 AC1	34
REB 15 AC1 / REB 15 AC2 / REB 15 AC5	34
REC 15 AC1 / REC 15 AC2 / REC 15 AC5	35
REX 15 AC1 / REX 15 AC2 / REX 15 AC5	36 / 37

Two-wheel battery sprayers	
A 50 AC1 / A 50 AC2 / A 50 AC5	38 / 39
C 50 AC1 / C 50 AC2 / C 50 AC5 / C 50 AC3	<b>New</b> 39

Wheelbarrow sprayers and pumps (battery / petrol / electric)	
A 75 AC1 / A 75 AC2 / A 75 AC5 / A 75 AM1 / A 75 AE1	40
A 130 AC1 / A 130 AC2 / A 130 AC5 / A 130 AM1 / A 130 AE1	41
BM 1035 AC1 / BM 1035 AC2 / BM 1035 AC5	42
AR 252	43



# CONTENT

## INDUSTRY

Hand sprayers and foamers		Page
McProper Plus P, 360° / McProper Plus E, 360° / McProper P / McProper E		46
McProper Plus P, Foam 360° / McProper Plus E, Foam 360°		46
Super McProper Plus, 360°		46
Clean-Matic 1.25 P, 360° / Clean-Matic 1.25 E, 360° (Adjustable nozzle)		47
Clean-Matic 1.25 P, 360° / Clean-Matic 1.25 E, 360° (Fanjet nozzles)		47
Spray-Matic 1.25 P, 360° / Spray-Matic 1.25 N, 360°		48
Fix 0.5 / Maxi 1.0		48
Super Spray-Matic 1.0 N / 360°		49
Super Maxi 1.0		49
Rex Profi		50
Food-Matic 1.25 P		50

Battery compressor		Page
TLK 35	<b>New</b>	51
e-Spray 7 P / e-Clean 7 P / e-Clean 7 E / e-Foam 7 P / e-Foam 7 E	<b>New</b>	54 / 55 / 57

Compression sprayers and foamers (plastic made)		Page
Astro 5		52
Rondo-Matic 5 / Rondo-Matic 5 P / Rondo-Matic 5 E		53
Spray-Matic 5 P / e-Spray 7 P / Spray-Matic 7 P	<b>New</b>	54
Clean-Matic 5 P / e-Clean 7 P / Clean-Matic 5 E / e-Clean 7 E	<b>New</b>	55
Vario-Matic 1.25 PE / Vario-Matic 2.0 PE	<b>New</b>	56
Foam-Matic 1.25 P / Foam-Matic 1.25 E		56
Foam-Matic 5 P / e-Foam 7 P / Foam-Matic 5 E / e-Foam 7 E	<b>New</b>	57

Backpack sprayers manual and with battery		Page
Spray-Matic 10 B		58
REC 15 PC1 / REC 15 PC2		59
RPD 15 PB2		60
REB 15 DC1 / REB 15 DC1 TelRo	<b>New</b>	61
REC 15 DC1 / REC 15 DC1 TelRo	<b>New</b>	61

Battery spray blower for		Page
REC 15 PC1 / REC 15 DC1 / REC 15 DC1 / C 50 DC1		
AS 1200 GR1 / AS 1200 GR2	<b>New</b>	62

Two-wheel battery sprayer		Page
C 50 DC1 / C 50 DC2 / C 50 DC5 / C50 DC1 TelRo	<b>New</b>	64

Compression sprayers (stainless steel made)		Page
Spray-Matic 2 S / Spray-Matic 5 S / Spray-Matic 5 SI		68 / 69
Spray-Matic 10 S		70 / 71
Spray-Matic 10 S (WHO) / Spray-Matic 10 S Plus (MSF)		72
Spray-Matic 10 SP		74 / 75
Spray-Matic 20 S / Spray-Matic 20 SH		76 / 77

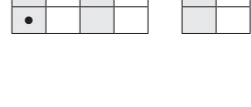
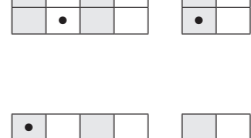
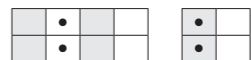
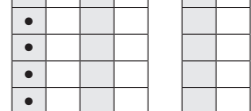
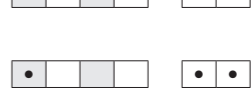
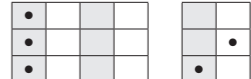
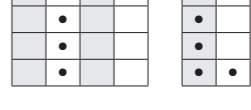
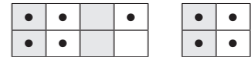
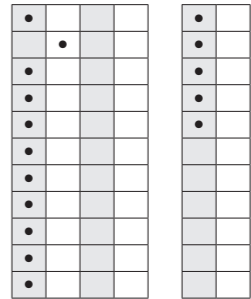
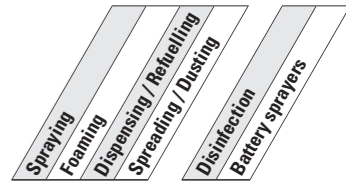
Foamers (plastic and stainless steel made)		Page
Vario-Matic 1.25 PE / Vario-Matic 2.0 PE	<b>New</b>	56
Foam-Matic 1.25 P, 75° / Foam-Matic 1.25 E, 75°		56
Foam-Matic 5 P / Foam-Matic 5 E		57
Indu-Matic 20 M		78
Indu-Matic 50 M / Indu-Matic 100 M		79

## ACCESSORIES / NOZZLES

Two hand grip / Battery Pump / TLK 35	<b>New</b>	82
Trigger valves Vario Gun, Gun Media		82
Handventile / Akkupacks	<b>New</b>	83
Chargers / Spray booms / Telescopic lance		84
Spray tubes		85
Waist and chest strap set		86
Nozzles / Pressure control valves / Nozzle holders / Stainless steel hand-cart	<b>New</b>	87 / 88 / 89 / 90
Spray accessories		90

General terms and conditions		91
------------------------------	--	----

Prices and technical modifications reserved



# NOVELTIES



**Battery spray blower:  
Universally applicable with round-  
and fanjet attachment set**

AS 1200 GR1 Art.no. 12184501 Page 32



TelRo

**Professional trigger for telescopic  
lance in facade cleaning**

C 50 TelRo	Art.no. 12197301	Page 61
REB 15 TelRo	Art.no. 12197601	Page 61
REC 15 TelRo	Art.no. 12198101	Page 64



Accu Star 1.5, 360°

**Battery hand sprayer**

Accu Star 1.5, 360° Art.no. 12194201 Page 16



Grill Star 0.5

Recyclution

**Special hand sprayers**

Grill Star 0.5	Art.no. 12168801	Page 15
Recyclution	Art.no. 12166501	Page 15



Vario-Matic 2.0 PE

**2 litre foam gun –  
Specially for cleaning and disinfection**

Vario-Matic 2.0 PE 12178001 Page 56



TLK 35

**Battery compressor for compression sprayer**

TLK 35, without battery, without charger	Art.no. 12185901	Page 20
TLK 35, with 2.0 Ah battery and charger SC 36 EU	Art.no. 12193301	Page 20
TLK 35, with 4.0 Ah battery and charger ASC 55 EU	Art.no. 12195001	Page 20



e-DR 5

**Powder duster with battery compressor  
for dusting**

e-DR 5, with battery and charger Art.no. 12193401 Page 22



e-Foam 7 P

e-Foam 7 E

**Compression foamers with battery  
compressor for foaming**

e-Foam 7 P, with battery and charger	Art.no. 12196001	Page 57
e-Foam 7 E, with battery and charger	Art.no. 12197001	Page 57



e-Profi 7

e-Spray 7 P

e-Clean 7 P/E

**Compression foamers with battery compressor for  
spraying for garden, construction and cleaning**

e-Profi 7, with battery and charger	Art.no. 12194001	Page 25
e-Spray 7 P, with battery and charger	Art.no. 12186001	Page 54
e-Clean 7 P, with battery and charger	Art.no. 12198001	Page 55
e-Clean 7 E, with battery and charger	Art.no. 12199001	Page 55

## The powerful «e-Line»

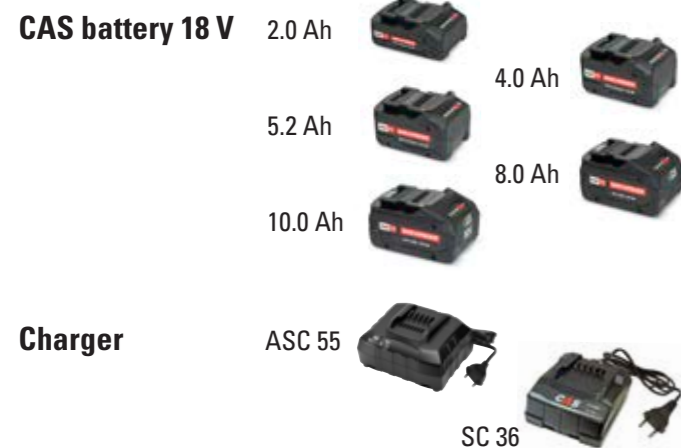


up to  
3.5 bar



### High-performance compressor TLK 35

We have added an e-Line to our range of manual compression sprayers. In the e-Line, the manual hand pumps on all Birchmeier sprayers, foamers and powder duster are replaced by the powerful TLK 35 compressor. At the touch of a button, the entire contents of the tank can be dispensed without manual repumping. The pressure can be adjusted continuously between 0.5 and 3.5 bar and the CAS battery exchange system allows access to different battery capacities from 2.0 to 10.0 Ah.



### Spraying

With a 2.0 Ah battery pack, for example, a spray time of up to **200 minutes** can be achieved at a working pressure of **2.0 bar**, using approximately **70 litres of liquid**

#### Garden

Extremely comfortable to use and ideal for plant strengthening and plant protection. The device has a large, stable base with an integrated spray pipe holder for secure footing. The battery-powered compressor ensures constant pressure and an even application rate for precise and efficient results.



e-Profi 7

#### Construction

The powerful battery compressor ensures a consistently high delivery rate, while the large, stable base with integrated spray pipe holder ensures secure footing and practical handling – even under demanding conditions.



e-Spray 7 P

#### Cleaning/disinfection

Convenient and efficient cleaning thanks to the sprayer specially developed for use with acids or alkalis. The sprayer has a large, stable standard base with an integrated spray pipe holder for secure footing. The constant working pressure and output ensure uniform, thorough and gentle cleaning.



e-Clean 7 P

e-Clean 7 E



### Foaming

With a 4.0 Ah battery pack, for example, at a working pressure of **3.5 bar**, an area of **300–600 m<sup>2</sup>** can be foamed with one battery charge.

#### Cleaning / Hygiene

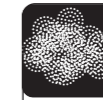
The entire tank contents can be completely foamed without interruption, enabling large-area and time-saving cleaning. Different sprayers are available for different areas of application – optimised for handling both acids and alkalis. The sprayer has a large, stable base with an integrated foam holder, ensuring that it stands securely.



e-Foam 7 P



e-Foam 7 E



### Dusting

With a 4.0 Ah battery pack, for example, dusting can be carried out for around **30 minutes** at a working pressure of **2.0 bar**, applying around **30 kg of powder** (10 fillings.)

#### Pest control

The powerful compressor enables continuous and even powder application without the need for re-pumping during use. The elimination of manual re-pumping increases work efficiency in pest control.



e-DR 5

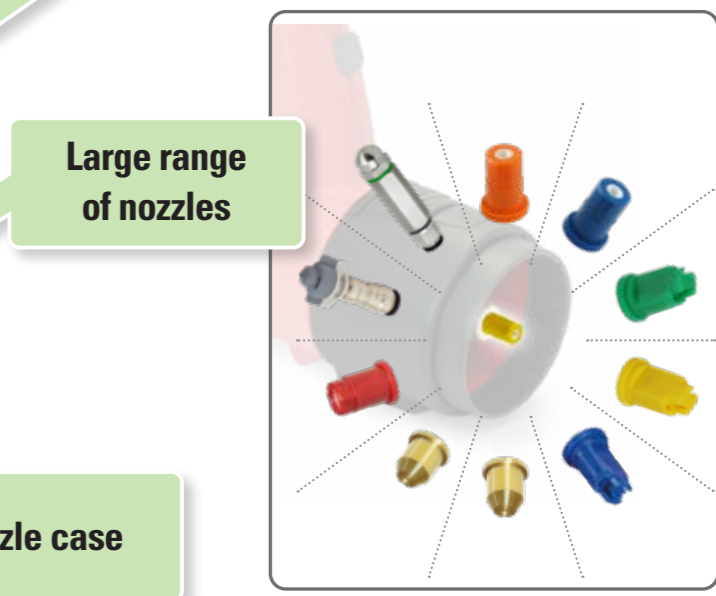
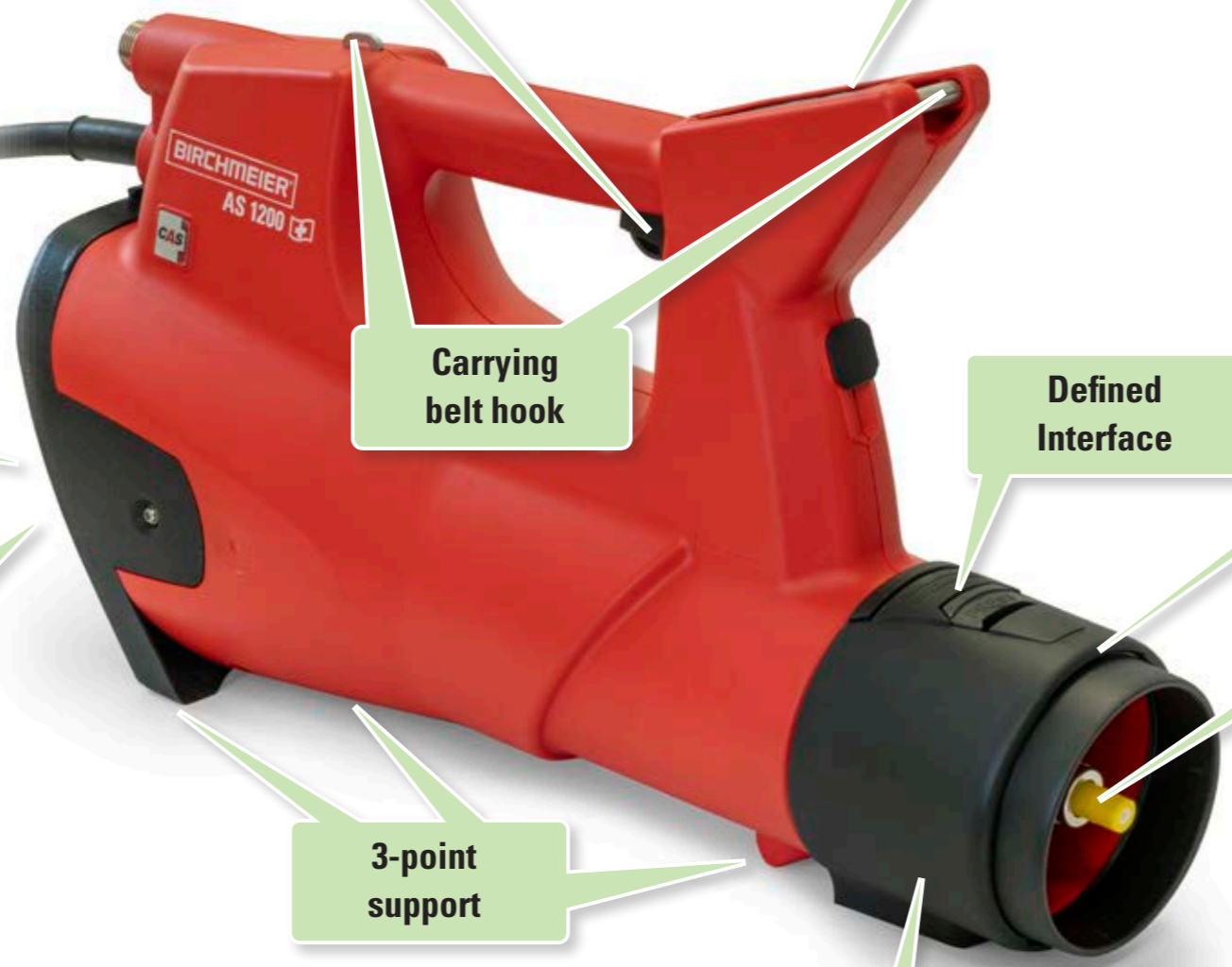
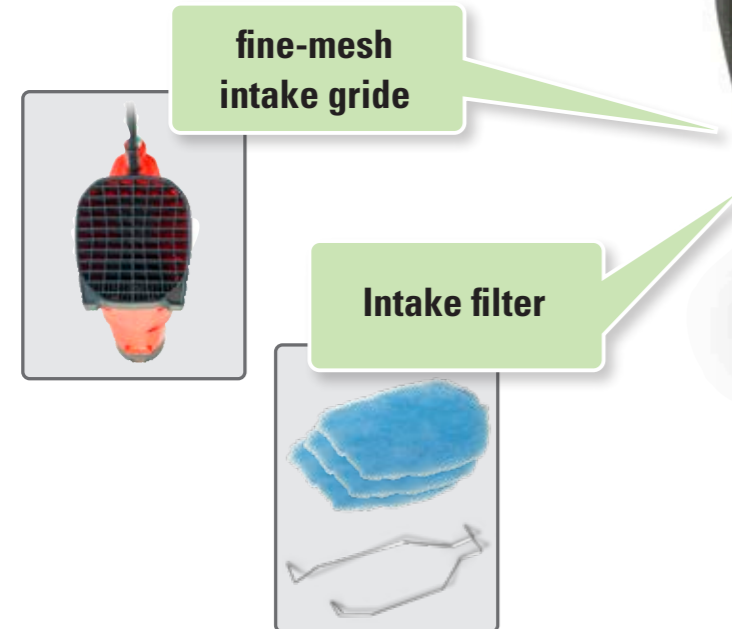
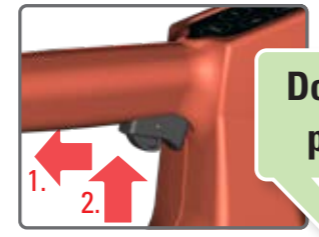
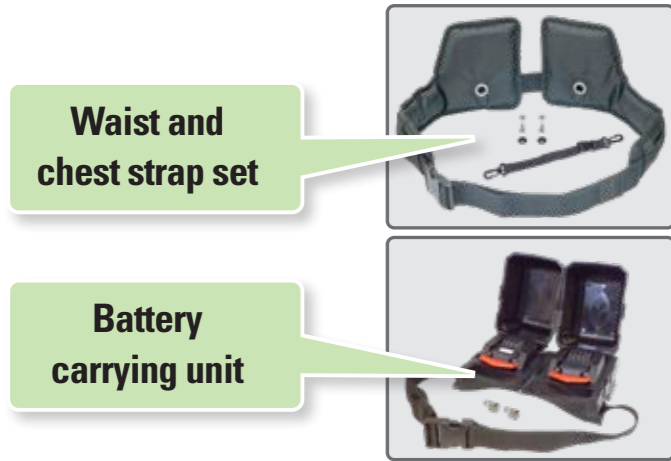


«Accu-Power sprayers – with CAS: powerful, emission-free and quiet

One battery for 450 devices / 45 brands

- Everything fits everything: Sprayers, battery-packs and chargers from all CAS partners
- Cross-manufacturer compatibility for over 450 devices
- Various 18 V battery packs available (up to 10 Ah)

The new version AS 1200 GR1



WHO-Compliant Approval: «Equipment for vector control specification guidelines», 2nd edition. Geneva: World Health Organization (WHO); 2018, for 1) Motorised knapsack Mistblowers, 2) Portable cold foggers (aerosol generators).

## The right nozzle for the right application

The AS 1200 can be used individually for a wide variety of applications depending on the nozzles and attachments.

	Anti-drift hollow cone nozzles			Anti-drift fanjet nozzles			Special nozzles				
	AITXA 8001 VK	AITXA 8002 VK	AITXA 8003 VK	AIXR 110015 VP	AIXR 11002 VP	AIXR 11003 VP	MV 425	MV 850	TXVK-6	NF 125	ULV 015
<b>Plant protection</b>	●	●	●								
e.g. Vines, Fruit trees, OPM	●	●	●								
e.g. Vines, herbes, vegetables				●	●	●					
<b>Pest control</b>	●	●	●	○	○	○	●	●		○	
Residual	●	●	●				●	●		○	
Air							○	○		●	●
<b>Construction (Curing)</b>	●	●	●	○	○	○					
<b>Chicken vaccination</b>									●		
<b>Cleaning</b>	●	●	●	○	○	○				○	
<b>Desinfection</b>	○	○	○	○	○	○				●	○

● Recommendation  
○ Possible

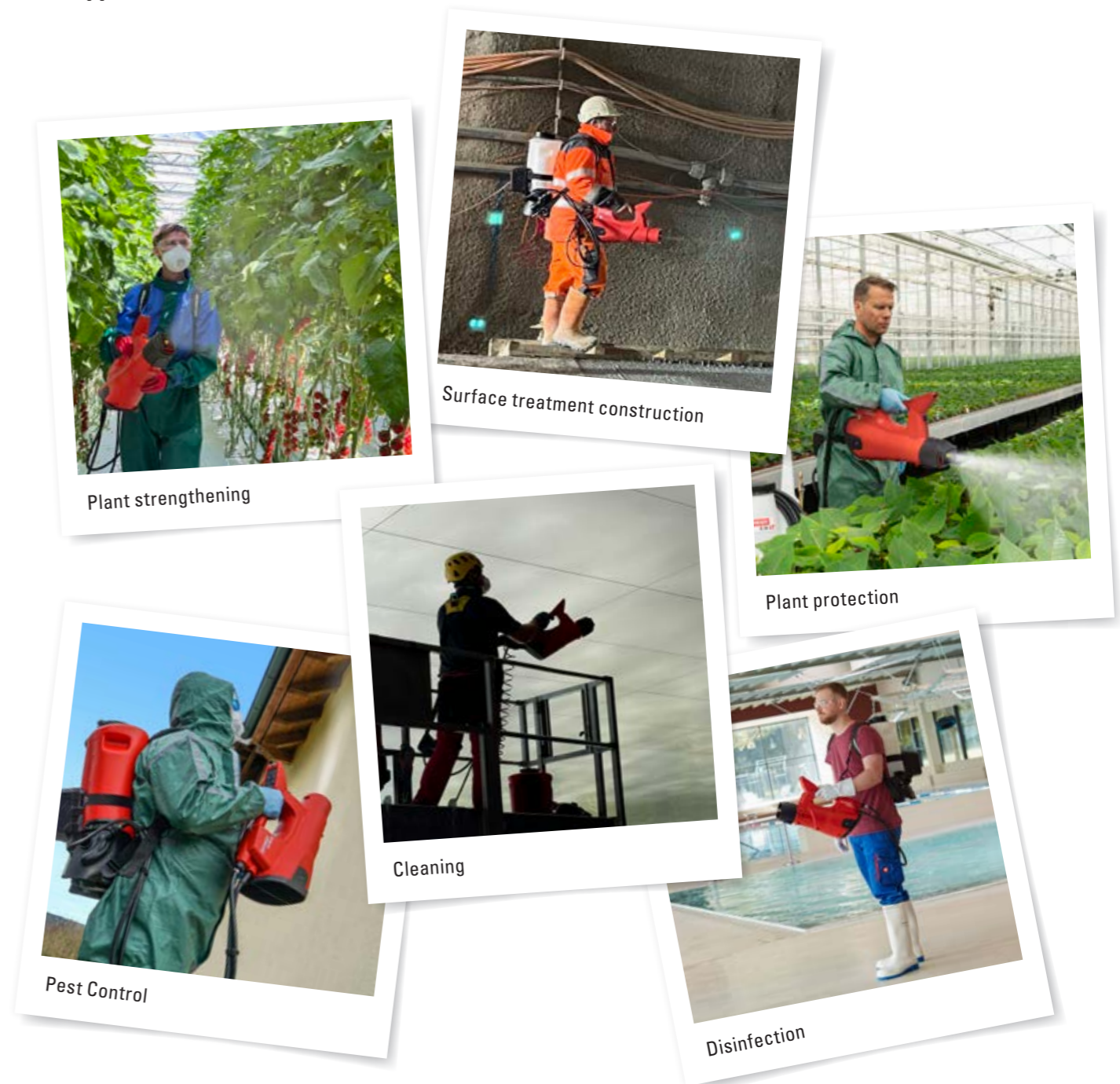
## Never a dry leaf or untreated surface again

### Air-supported spraying with AS 1200: With CAS system



Spraying with pressure-controlled liquid supply in an air stream. The new technology from Birchmeier for every application. Thanks to a variable air stream and a pre-spraying function of a Birchmeier «Accu-Power» sprayer a large spraying range up to 13 m can be achieved. A minimum loss of spray is the result. The spray blower is extremely powerful, easy to operate and impressively quiet. 6-time international innovation award winner.

### Versatile applications such as:



## Explanation of the pictograms

### 1. Nozzle type



### 2. Maximal working pressure<sup>2</sup>



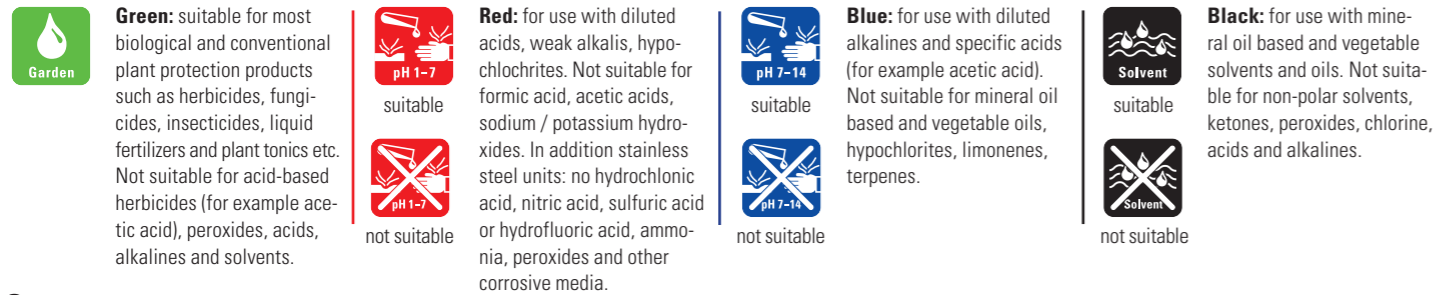
### 3. Connection<sup>3</sup>



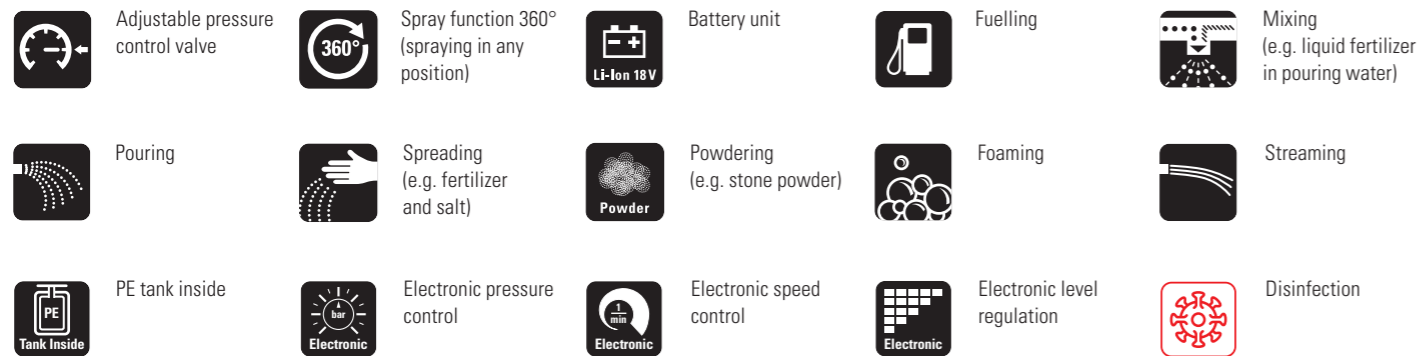
### 4. Stress class<sup>4</sup>



### 5. Resistance<sup>5</sup>



### 6. Special function



**Legend:**  
 1 Only screw fitting (see point no. 3)  
 2 The safety valve prevents that these pressures are exceeded at compression sprayers  
 3 Compression or screw fitting (for nozzles, spraying tube, accessories, etc.)  
 4 The stress class referred to the classification of Birchmeier products in its resilience and robustness  
 5 The green / red / blue / black coding is a non-binding assistance for choosing the right sprayer and foamer of Birchmeier. Depending on the composition of the spraying agent, this coding maybe differ. In doubt, follow the recommendations of the chemical manufacturer.

**Important:**  
 Because of differences in conditions (concentration, temperature, pressure etc.) and composition of chemicals / fluids the recommended colour coding green / red / blue / black are only guidelines and should not be taken as binding. For these reasons we cannot give any guarantees as to the correctness of our recommendations in individual cases.

# GARDEN



- HOUSE AND GARDEN
- PROFESSIONAL GARDENING
- PEST CONTROL



Made in Switzerland



Foxy Plus / 360°

Extension tube 16 cm  
11815115

Foxy Plus, hand sprayer 360° / Traded unit 20 pcs	10937507	013404
<b>TU selling price 20 pcs</b>		
Display loose, Foxy Plus (for 65 pcs)	12021701	720586
<b>Accessories</b>		
Extension tube 16 cm, minimum order qty. 5 pcs	11815115	030159
<b>Spare parts</b>		
Foxy Plus sprayhead	10930202-SB	701004



Foxy



Foxy, hand sprayer / Traded unit 20 pcs	10937503	130040
<b>TU selling price 20 pcs</b>		
<b>Accessories</b>		
Extension tube 16 cm, minimum order qty. 5 pcs	11815115	030159
<b>Spare parts</b>		
Foxy sprayhead	10930201-SB	700953



Artlution / 360°   Flylution / 360°   Naturlution / 360°   Leaflution / 360°   Vinilution / 360°



Solution, hand sprayer / Traded unit 10 pcs		
<b>TU selling price</b>	12134701	026152
Solution Collection 360° / 2 pcs per model (TU 10)		
Artlution 360° (TU 10 pcs)	12133701	026053
Artlution 360° TU selling price		
Flylution 360° (TU 10 pcs)	12133801	026060
Flylution 360° TU selling price		
Naturlution 360° (TU 10 pcs)	12133901	026077
Naturlution 360° TU selling price		
Leaflution 360° (TU 10 pcs)	12134001	026084
Leaflution 360° TU selling price		
Vinilution 360° (TU 10 pcs)	12134101	026091
Vinilution 360° TU selling price		
Display loose, Desk Display Solution 360° (for 15 pcs)	12136301	036489
Display loose, Solution 360° (for 65 pcs)	12136401	036496



Recyclution 0.5 / 360°



Recyclution 0.5, hand sprayer 360° / Traded unit 10 pcs	12166501	053677
<b>TU selling price 10 pcs</b>		
Display loose, Recyclution 0.5 (for 65 pcs)	12173301	054544
Display loose, Desk Display Recyclution 0.5 (for 15 pcs)	12176001	054896
<b>Accessories</b>		
Extension tube 16 cm, minimum order qty. 5 pcs	11815115	030159



Grill Star 0.5



Grill Star 0.5, hand sprayer / Traded unit 10 pcs	12168801	053967
<b>TU selling price 10 pcs</b>		
Display loose, Grill Star 0.5 (for 65 pcs)	12100801	012254
Display loose, Desk Display Grill Star 0.5 (for 15 pcs)	12100901	012261



Melua 0.5 / 360°



Melua 0.5, hand sprayer for orchids 360° / Traded unit 10 pcs	11863601	014197
<b>TU selling price 10 pcs</b>		
Display loose, Desk Display Melua 0.5 (for 15 pcs)	12030201	720814
<b>Spare parts</b>		
Melua 0.5 sprayhead	11864101	701011



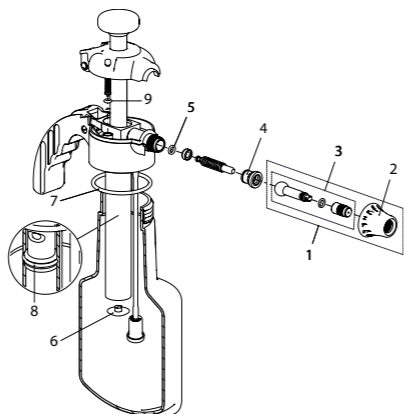
Wespi 0.5 / 360°



Wespi 0.5, hand sprayer 360° / Traded unit 10 pcs	12103501	012551
<b>TU selling price 10 pcs</b>		
Display loose, Wespi 0.5 (for 65 pcs)	12109001	013879
Display loose, Desk Display Wespi 0.5 (for 15 pcs)	12117001	013862

2026

Art.no.

EAN-Code  
7611034...

Super Star 1.25 / 360°



Super Star 1.25, compression sprayer 360° / Traded unit 5 pcs

TU selling price 5 pcs

Display loose, Super Star 1.25 / 360° (for 27 pcs)

12021201

720531

**Accessories**Suction tube 360°, oil resistant; **minimum order qty. 5 pcs**

11992501

710846

Extension tube 26 cm bendable, fix

11919201-SB

110127

Extension tube 40 cm bendable, soft

11647702

030142

Extension tube 80 cm bendable, soft

11647703

040523

Spray hood round, ø12.5 cm, compression fitting

11864801

110042

**Repair and gasket set for pump part, No 2,3,4,5,6,7,8,9**

11614801-SB

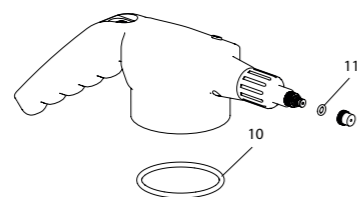
700144

**No Spare parts**

1 Adjustable nozzle brass

11614805

110097



Accu Star 1.5 / 360°



Accu Star 1.5, compression hand sprayer 360° / Traded unit 4 pcs

TU selling price 4 pcs

12194201

056890

**Gasket set No 10,11**

12201501

057736



Urban Star 1.75 / 360°



Urban Star 1.75 / 360°



Urban Star 1.75 / 360°



Urban Star 1.75 (green), compression sprayer 360° / Traded unit 5 pcs

TU selling price 5 pcs

12009701

140247

Urban Star 1.75 (blue), compression sprayer 360° / Traded unit 5 pcs

TU selling price 5 pcs

12141601

038353

Urban Star 1.75 (violet), compression sprayer 360° / Traded unit 5 pcs

TU selling price 5 pcs

12009901

140261

Display loose, Urban Star 1.75 (for 27 pcs)

12021601

720579

2026

Art.no.

EAN-Code  
7611034...

Rose Star 1.25 / 360°



Rose Star 1.25, compression sprayer 360° / Traded unit 4 pcs

11978501

140094

TU selling price 4 pcs

Display loose, Rose Star 1.25 (for 24 pcs)

12007101

720043

**Accessories**

Extension tube 40 cm bendable, soft

11647702

030142

Extension tube 80 cm bendable, soft

11647703

040523

Adjustable nozzle brass

11614805

110097

Suction hose **complete minimum order qty. 5 pcs**

11981601

710655

**Repair and gasket set for pump part**

11614801-SB

700144

**Spare parts**

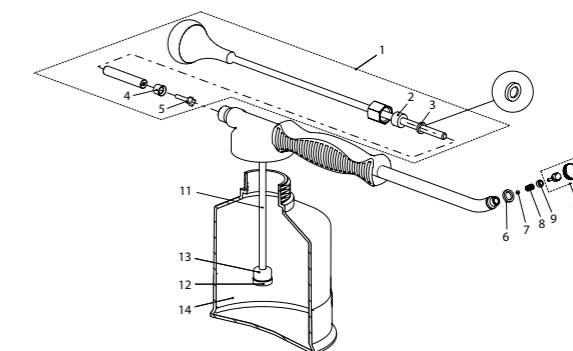
Extension tube 26 cm bendable, fix

11919201-SB

110127



Florajet



Florajet, piston sprayer for roses

11473303

130088

**Accessories (Pictures see page 82 ff)**

Adjustable nozzle 1.3 mm, M8x1

28502599-SB

100180

**No Repair set consisting of:**

2 Gland packing 12.5x6x8

11637901-SB

710259

3 Insert ring

4 Piston

5 Piston screw

6 Gasket 11x7.6x2

7 Ball 1/8" (3.18 mm)

8 Spring

9 Threaded ring M6x0.75

11 Suction hose 4x1x145

12 Suction screen

**No Spare parts**

1 Piston rod

11026801

710037

10 Mist nozzle with spiral insert (diameter opening 1.2 mm)

10370601-SB

100111

13 Suction connection, **minimum order qty. 5 pcs**

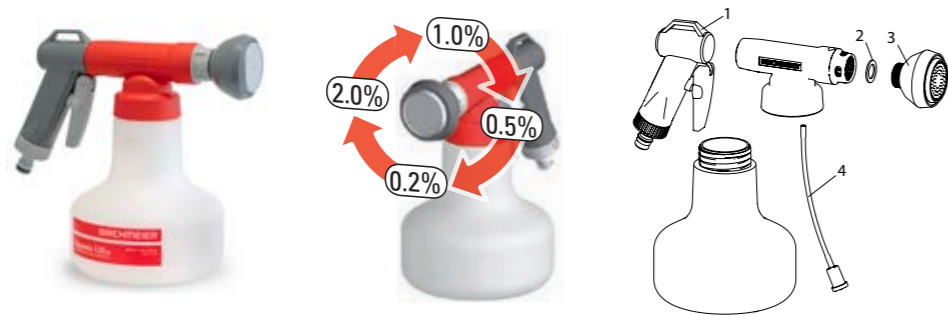
80011201

040769

14 Tank

11473201

040776

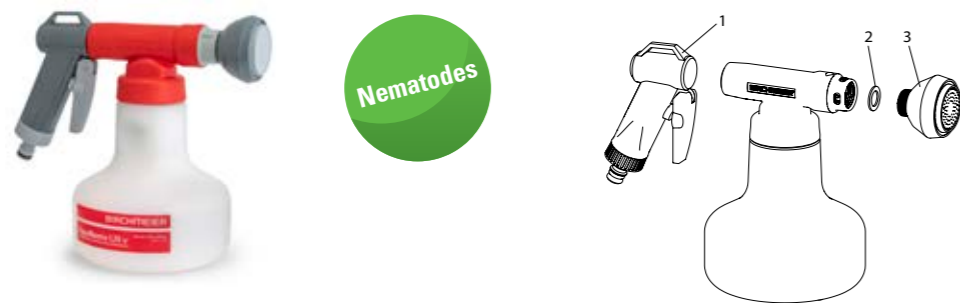


Aquamix 1.25 V (Vario: 0.2% / 0.5% / 1.0% / 2.0%)



See also to fertiliser and salt spreader with dosage control **Granomax 5**, page 19

Aquamix 1.25 V, applicator for liquid fertiliser / Traded unit 5 pcs	11953401	130859
<b>TU selling price 5 pcs</b>		
Display loose, Aquamix 1.25 V (for 16 pcs)	12020501	720517
<b>Accessories</b>		
Closing cap	11980101	710624
<b>Repair and gasket set, No 1,2,3</b>	12141201	038308
<b>No Spare parts</b>		
4 Suction hose	11981601	710655



AquaNemix 1.25 V



AquaNemix 1.25 V, applicator for nematodes / Traded unit 5 pcs	11953501	130866
<b>TU selling price 5 pcs</b>		
<b>Accessories</b>		
Closing cap	11980101	710624
<b>Repair and gasket set, No 1,2,3</b>	12141201	038308



Bobby 0.5

Extension tube 40 cm



Bobby 0.5, powder duster	12043301	140438
Display loose, Bobby 0.5 (for 20 pcs)	12058601	150277
<b>Accessories</b>		
Extension tube 40 cm	12045601-SB	150628
<b>Spare parts</b>		
Spare parts set nozzles	12045901	720920



Granomax 5



See also to liquid fertiliser mixing unit **Aquamix 1.25 V**, page 18

Granomax 5, granule spreader / Traded unit 8 pcs	11893001	020181
<b>TU selling price 8 pcs</b>		
Display loose, Granomax 5 (for 30 pcs)	12021301	720548



Summer

Winter



Rapidon 6



Rapidon 6, petrol can / Traded unit 5 pcs	11851301	020105
<b>TU selling price 5 pcs</b>		
Display loose, Rapidon 6 (for 12 pcs)	12018901	720500
<b>Spare parts</b>		
Closing cap	11853201	110073
Spout Rapidon 6	11914201	040967



Funnel K14

Funnel G19

Funnel S19



<b>Funnel oval, red</b>		
Funnel K14: Size 14 x 9.5 cm, height 16.5 cm	72600399	500027
Funnel G19: Size 19 x 12.5 cm, height 21 cm	72600499	500010
Funnel S19: Size 19 x 12.5 cm, diameter of connection 2.1 cm	10301203	500119





TLK 35



Gasket installed



Gasket enclosed



TLK 35, without battery pack, without charger	12185901	056074
TLK 35, with battery pack 2.0 Ah, with charger SC 36	12193301	056678
TLK 35, with battery pack 4.0 Ah, with charger ASC 55	12195001	056708
<b>Suitable devices:</b>		
DR 5, powder duster	11625701	121048
Hobby Star 5, compression sprayer with carrying belts	11642803	011080
Garden Star 3, compression sprayer	11859101	011240
Garden Star 5, compression sprayer	11859201	011257
Profi Star 3, professional compression sprayer, with PR 3 P1	12118401	014395
Profi Star 5, professional compression sprayer, with PR 3 P1	12117401	013916
Organic Star 5, compression sprayer	11980001	121413

Gasket set see battery devices

TLK 35 battery devices, see the following pages:  
e-DR 5, page 22 / e-Profi 7, page 25

### Compatible to TLK 35



Spraying



Dusting



Hobby Star 5



Garden Star 3/5



Profi Star 3/5



DR 5

Organic Star 5

Further suitable sprayers under Industry, page 51

### Line with integrated TLK 35



Spraying



Foaming



Dusting



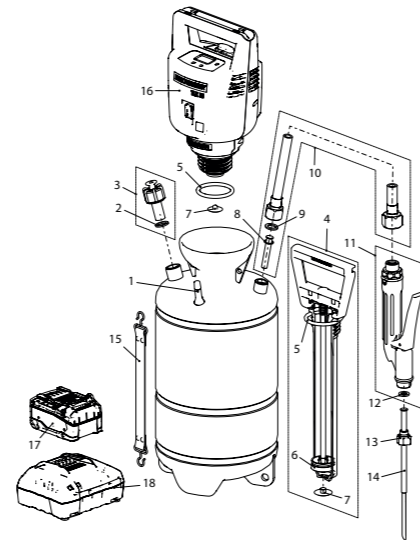
e-Profi 7 e-Spray 7 P e-Clean 7 P e-Clean 7 E



e-Foam 7 P e-Foam 7 E



e-DR 5



DR 5, powder duster	11625701	121048
e-DR 5, powder duster, with battery pack, with charger EU	12193401	056807
e-DR 5, powder duster, without battery pack, without charger	12194101	056814
<b>Accessories (Pictures see page 82 ff)</b>		
TLK 35, with battery pack 4 Ah, with charger ASC 55	12195001	056708
Injector needle, curved $\varnothing$ 2 mm	11435001-SB	100647
Extension tube straight 1 m, brass, G1/4"-G1/4"e	10960601	100463
XL 8 D Telescopic lance 7 m (max. 6 bar) / working height 8 m (Dust version)	11935401	113791
Mini-Flex	11947101	710600
Powder funnel P19, oval, red, size 19x12.5 cm, diameter of connection 3.2 cm	12140601	038278
<b>No Gasket set consisting no 2/5/6/7/8/9/12</b>	11629801-SB	700878
<b>No Spare parts for model</b>		
1 Compressed air valve	DR 5 / e-DR 5	50137531 500157
3 Safety and pressure relief valve <b>3 bar</b> (until 2021)	DR 5 / e-DR 5	11617901-SB 710174
3 Safety and pressure relief valve <b>4 bar</b> (from 2022)	DR 5 / e-DR 5	11617902-SB 710181
4 Pump red 1.4104 PP NBR	DR 5	11906301 710532
6 Sleeve, 6 pcs. per pack	DR 5	11642701 040059
10 Hose 1.5 m, G1/2"-G1/2"	DR 5 / e-DR 5	11478202 710327
11 Trigger Profi G1/2"	DR 5 / e-DR 5	10495007 100807
<i>Gasket set for trigger</i>	DR 5 / e-DR 5	11664910 040851
12 Gasket 12.2x7x3; 12 pcs per pack	DR 5 / e-DR 5	11642404 040042
13 Nipple G1/4", <b>minimum order qty. 5 pcs</b>	DR 5 / e-DR 5	11341801 040790
14 Powder tube $\varnothing$ 4 mm, brass, L = 25 cm	DR 5 / e-DR 5	11422101 710334
15 Carrying belt	DR 5 / e-DR 5	10453601 100739
TLK 35	e-DR 5	12185901 056074
17 Battery pack 18 V Li-Power / 4.0 Ah	e-DR 5	12071401 150895
18 Quick charger ASC 55, 220-240 V, EU - plug type C	e-DR 5	12070101 150864



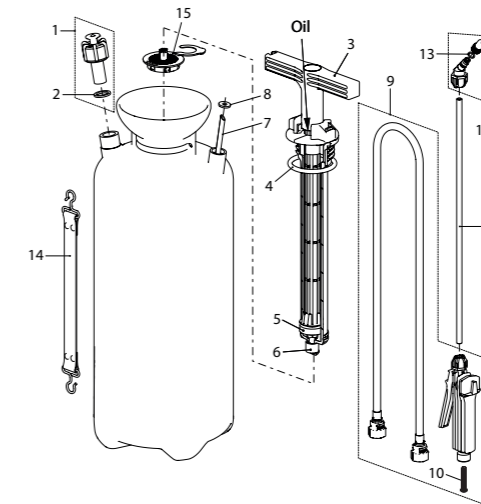
XL 8 D

XL 8 D, telescopic lance 7 m (max. 6 bar) / working height 8 m (Dust version)	11935401	113791
<b>Accessories (Pictures see page 82 ff)</b>		
Spray set	11938901	113869
Blow-out valve	11937101	113845
<b>Spare parts</b>		
7 m hose set	11936301	113821

For other accessories and spare parts see page 84

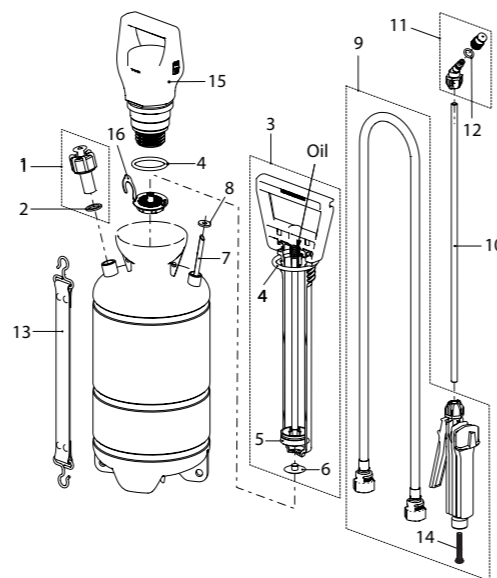


Hobby Star 5



Hobby Star 5, compression sprayer with carrying belts	11642803	011080
Display loose, Hobby Star 5 (for 10 pcs)	12063901	150581
<b>Accessories (Pictures see page 82 ff)</b>		
TLK 35, with battery pack 2 Ah, with charger SC 36	12193301	056678
Glass fibre reinforced plastic spray tube, length 1 m	11497403	100890
Telescopic tube 0.45 - 0.9 m, plastic/aluminium	11659001-SB	030098
Spray hood, oval, compression fitting	11871101	110066
Spray hood round, $\varnothing$ 12.5 cm, compression fitting	11864801	110042
<b>No Gasket set consisting of:</b>	11490503-SB	400006
2 Gasket 21x15.4x2		
4 O-ring 50.16x5.34		
5 Sleeve $\varnothing$ 32.8 x 8 mm		
6 Gasket 16x13x12		
8 Gasket 15x5.5x2		
10 Filter		
13 O-ring 7.66x1.78		
<b>No Spare parts</b>		
1 Safety and pressure relief valve 3 bar	11617901-SB	710174
3 Pump red PP NBR	11488401	040806
7 Suction tube L = 435 mm, <b>minimum order qty. 5 pcs</b>	10450502	040844
9 Trigger and hose 1.3 m, G1/2"-G1/2"	11637602-SB	710525
11 Spray tube 40 cm straight, plastic, <b>minimum order qty. 5 pcs</b>	11631101	040813
12 Adjustable nozzle 1.3 mm, plastic	11323001-SB	121208
14 Carrying belt	10453601	100739
15 Filter screen	11943901	400860





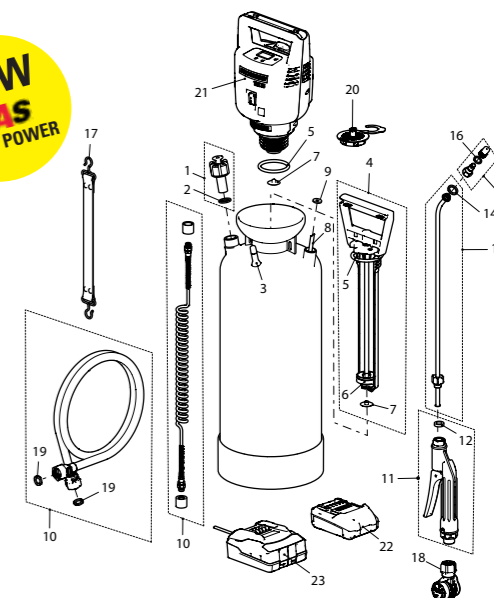
Garden Star 3, compression sprayer	11859101	011240
Garden Star 5, compression sprayer	11859201	011257
Accu Star 8, battery sprayer	12038001	210926
<b>Accessories (Pictures see page 82 ff)</b>		
TLK 35, with battery pack 2 Ah, with charger SC 36	12193301	056678
Pressure control valve PR 3 E1 (adjustable) for Garden Star 3/5, see page 89	12098901-SB	011929
Telescopic tube 0.45 - 0.9 m, plastic/aluminium	11659001-SB	030098
Spray hood, oval, compression fitting	11871101	110066
Spray hood round, ø12.5 cm, compression fitting	11864801	110042
Spray tube 1 m brass with adapter G1/4"e	11486401	040820
Pump red 1.4104 PP NBR	11618601-SB	710136
<i>for model</i>		
<b>No</b>	<b>Gasket set consisting of:</b>	<b>3 / 5 / 8</b>
2	Gasket 21x15.4x2	
4	O-ring 50.16x5.34	
5	Sleeve ø38.85 x 7.9 mm	
6	Pump gasket ø24 mm	
8	Gasket 15x5.5x2	
12	O-ring 7.66x1.78	
14	Filter	
<b>No Spare parts</b>		
1	Safety and pressure relief valve 3 bar	3 / 5 / 8
3	Pump red 1.4104 PP NBR	3 / 5
5	Sleeve, 6 pcs. per pack	3 / 5
7	Suction tube L = 300 mm, <b>minimum order qty. 5 pcs</b>	3
7	Suction tube L = 365 mm, <b>minimum order qty. 5 pcs</b>	5 / 8
9	Trigger and hose 1.3 m, G1/2"-G1/2"	3 / 5 / 8
10	Spray tube 40 cm, straight, brass	3
10	Spray tube 50 cm, straight, brass	5 / 8
11	Adjustable nozzle 1.3 mm, plastic-brass	3 / 5 / 8
13	Carrying belt	3 / 5 / 8
15	Battery pump 7.4 V, 2.6 Ah	8
16	Filter screen	3 / 5 / 8



Spray hood round, ø12.5 cm  
compression fitting  
11864801



Spray hood, oval  
compression fitting  
11871101



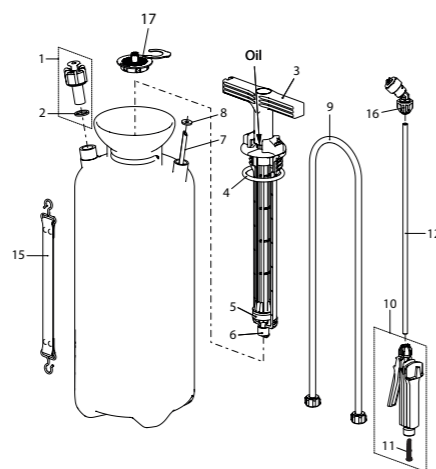
Profi Star 3, professional compression sprayer, with PR 3 P1	12118401	014395
Profi Star 5, professional compression sprayer, with PR 3 P1	12117401	013916
e-Profi 7, professional compression sprayer, with battery pack, with charger	12194001	056685
e-Profi 7, professional compression sprayer, with battery pack, with charger	12194501	056692
<b>Accessories (Pictures see page 82 ff)</b>		
TLK 35, with battery pack 2 Ah, with charger SC 36	12193301	056678
Vario Gun, stepless variable one-hand operation from spray to jet	11558501	100821
Floodjet nozzle 1.6 mm (blue) (Herbicide nozzle)	10501803-SB	100241
Duro mist nozzle 1.65 mm, brass - for white washing and special applications	28502325-SB	100364
XL 8 S Telescopic lance 7 m (max. 6 bar) / working height 8 m (Spray version)	11935801	113982
Telescopic tube 0.5 - 1 m, anodised alu., thread G1/4"e on both sides	10985204	030104
Extension tube straight 1 m, brass, G1/4"-G1/4"e	10960601	100463
Closing cap (inst. of handpump)	11629502	100869
Professional spray hood oval, screw fitting	10501606	100906
Spray hood round, ø12.5 cm, screw fitting	11998601	710891
Spray boom, aluminium, max. 12 bar, screw fitting, 4 fanjet nozzles TP 11002 VP (yellow)	11889501-SB	040677
Spray boom, aluminium, max. 12 bar, screw fitting, 4 fanjet nozzles AIXR 110015 VP (green) *	12050201	150420
Two hand grip	11887301	040578
<b>No</b>	<b>Gasket set Profi Star 3 / 5 / e7, no 2/5/6/7/9/12//14/16/19</b>	<b>for model</b>
<b>No</b>	<b>Spare parts</b>	
1	Safety and pressure relief valve, 4 bar	3 / 5 / e7
3	Compressed air valve	3 / 5 / e7
4	Pump black 1.4301 PP Viton	3 / 5
6	Guide with sleeve; 6 pcs. per pack	3 / 5
6	Sleeve; 6 pcs. per pack	3 / 5
8	Suction tube L = 320 mm, <b>minimum order qty. 5 pcs</b>	3
8	Suction tube L = 435 mm, <b>minimum order qty. 5 pcs</b>	5 / e7
10	Spiral hose blue 2 m, G1/2"-G1/2"i	3 / 5 / e7
10	Hose 1.5 m, G1/2"-G1/2", oil resistant	3 / 5 / e7
11	Trigger Profi G1/2"	3 / 5 / e7
	<b>Gasket set for trigger</b>	3 / 5 / e7
12	Gasket 12.7x7x3; 12 pcs per pack	3 / 5 / e7
13	Spray tube 40 cm curved, brass	3
13	Spray tube 50 cm curved, brass	5 / e7
14	Gasket 17x12.7x2; 10 pcs per pack	3 / 5
15	Adjustable nozzle 1.3 mm, brass	3 / 5 / e7
17	Carrying belt	3 / 5 / e7
18	Pressure control valve PR 3 P1	3 / 5
19	Gasket 18.5x12x2; 10 pcs per pack	5
20	Filter screen	3 / 5 / e7
21	TLK 35	e7
22	Battery pack 18 V Li-Power / 2.0 Ah **	e7
23	Charger SC 36, 220-240 V, EU - plug type C **	e7

\* Anti-drift fanjet nozzles

\*\* Further information about the battery packs (2.0 - 10.0 Ah) and chargers, see page 83 / 84



Especially  
acetic acid  
resistant

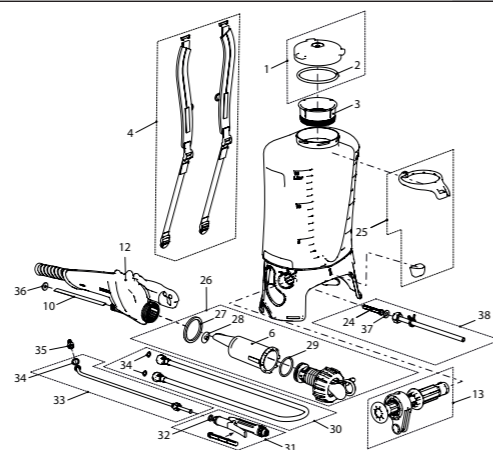


Organic Star 5

<b>Organic Star 5, compression sprayer (5 litres)</b>	11980001	121413
<b>Accessories (Pictures see page 82 ff)</b>		
TLK 35, with battery pack 2 Ah, with charger SC 36	12193301	056678
Pressure control valve PR 3 E1 (adjustable), see page 89	12098901-SB	011929
Glass fibre reinforced plastic spray tube, length 1 m	11497403	100890
Spray hood oval, compression fitting	11871101	110066
Spray hood round, ø12.5 cm, compression fitting	11864801	110042
<b>No Gasket set, No 2,4,5,6,8,11</b>	11981301	400921
<b>No Spare parts</b>		
1 Safety and pressure relief valve 3 bar	11669609	110431
3 Pump black PP EPDM	11981101	400914
7 Suction tube L = 435 mm, <b>minimum order qty. 5 pcs</b>	10450502	040844
9 Hose 1.2 m, G1/2"-G1/2"	11637701	400617
10 Trigger G1/2"	11488705	110493
12 Spray tube 40 cm straight, plastic, <b>minimum order qty. 5 pcs</b>	11631101	040813
15 Carrying belt	10453601	100739
16 Fanjet nozzle TP 80015 VP, compression fitting	12171101	054193
17 Filter screen	11943901	400860



Especially  
acetic acid  
resistant



Organic Star 15

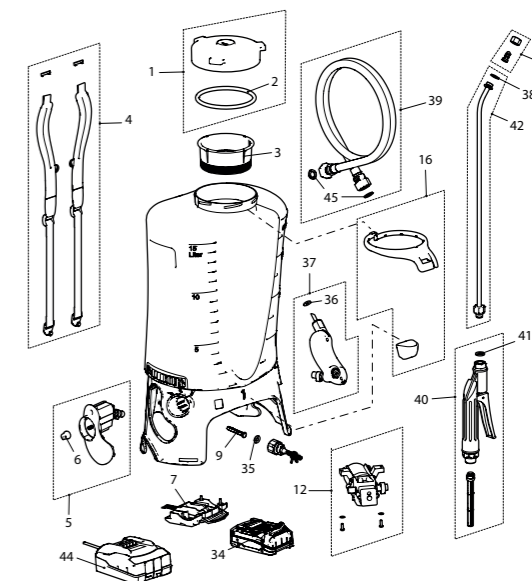


<b>Organic Star 15, backpack sprayer (15 litres)</b>	11998001	010236
<b>Accessories (Pictures see page 82 ff)</b>		
Pressure control valve PR 3 E1 (adjustable), see page 89	12098901-SB	011929
Spray tube 1 m, stainless steel, G1/4"e-G1/4"e	11669802	110578
Professional spray hood oval, screw fitting, brass free	12162401	053189
Spray hood round, ø12.5 cm, screw fitting	11998601	710891
<b>No Gasket set, No 2,6,10,24,27,28,29,32,34,36,37</b>	12005101	710983
<b>No Spare parts</b>		
1 Lid ø137 mm	10397202-SB	151007
3 Filter screen	77009699-SB	151038
4 Carrying belt (pair)	11923401	113722
12 Pump lever	11920201	113913
13 Pump lever joint	11939401	113920
25 Spray tube holder	11934001	113951
26 Pump (without pump lever)	11986901	710990
30 Hose complete 1.3 m, G1/2"-G1/2"	12098301	011844
31 Trigger G1/2"	10966107	110615
<i>Gasket set for trigger</i>	11973801	400853
33 Spray tube 50 cm curved, stainless steel	11669803	110639
35 Floodjet nozzle 1.6 mm (blue)	10501803-SB	100241
38 Suction tube-set	11999701	710976



CAS  
ACCU  
POWER

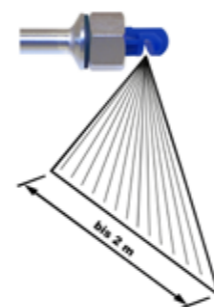
Especially  
acetic acid  
resistant



Organic Star 15 Accu



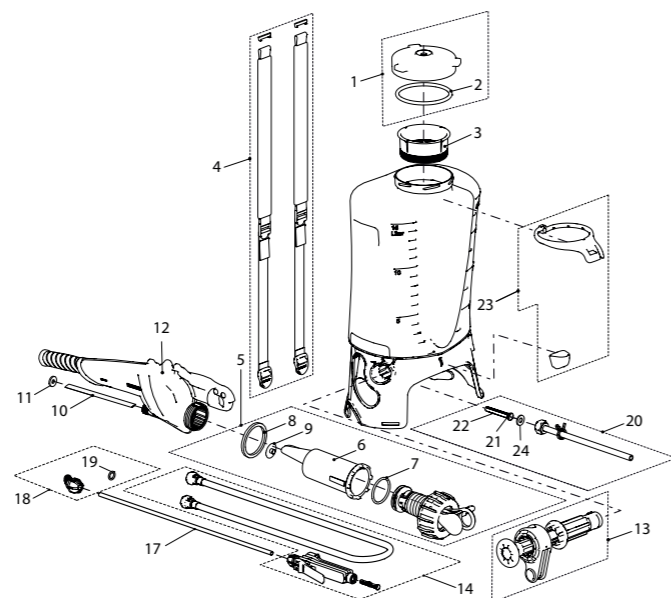
<b>Organic Star 15 Accu, backpack sprayer (15 litres) with battery pack, with charger EU</b>	12098101	011776
<b>Organic Star 15 Accu, backpack sprayer (15 litres) without battery pack, without charger</b>	12142201	038438
<b>Accessories (Pictures see page 82 ff)</b>		
Spray tube 1 m, stainless steel, G1/4"e-G1/4"e	11669802	110578
Professional spray hood oval, screw fitting, brass free	12162401	053189
Spray hood round, ø12.5 cm, screw fitting	11998601	710891
Anti-drift 95% fanjet nozzle, G1/4"i	12171701	054261
<b>No Gasket set consisting of:</b>		
2 Gasket 108x7	12098701	011905
9 Filter		
35 Gasket 15x7x1.5		
36 Gasket 15x5.5x2		
41 Gasket 11.9x7x1.5		
45 Gasket 18.5x12x2		
<b>No Spare parts</b>		
1 Lid ø137 mm	10397202-SB	151007
3 Filter screen	77009699-SB	151038
4 Carrying belt (pair)	11923401	113722
5 Electronic	12075901	151083
6 Potentiometer knob, <b>minimum order qty. 5 pcs</b>	11922701	720838
7 Battery fixing plate	12075501	151106
12 Pump and motor	12017801	720463
16 Spray tube holder	11934001	113951
34 Battery pack 18 V Li-Power / 2.0 Ah *	12070301	150871
37 Air vessel	12098401	011851
39 Hose complete 1.3 m, G1/2"-G1/2"	12098301	011844
40 Trigger G1/2"	10966107	110615
<i>Gasket set for trigger</i>	11973801	400853
42 Spray tube 50 cm curved, stainless steel	11669803	110639
43 Floodjet nozzle 1.6 mm (blue)	10501803-SB	100241
44 Charger SC 36, 220-240 V, EU - plug type C *	12074501	150949
45 Gasket 18.5x12x2; 10 pcs per pack	12177701	055084

Floodjet nozzle 1.6 mm  
(Organic Star 15 / Organic Star 15 Accu)Anti-drift 95% fanjet nozzle  
12171701

\* Further information about the battery packs (2.0 - 10.0 Ah) and chargers, see page 83 / 84



RPD 15 ABR

**RPD 15 ABR, backpack sprayer (15 litres)**

11924701 010106

**Accessories (Pictures see page 82 ff)**

Pressure control valve PR 3 E1 (adjustable)	12098901-SB	011929
Vario Gun, stepless variable one-hand operation from spray to jet	11558501	100821
Telescopic tube 0.45 - 0.9 m, plastic/aluminium	11659001-SB	030098
Glass-fibre reinforced plastic spray tube, length 1 m	11497403	100890
Spray tube 1 m brass with adapter G1/4"e	11486401	040820
Spray hood oval, compression fitting	11871101	110066
Spray hood round, ø12.5 cm, compression fitting	11864801	110042
Spray boom plastic, max. 4 bar, compression fitting, 4 fanjet nozzles TP 80015 VP (green)	11659801-SB	100975
Biofilter for the use of home-made spray mixtures	11475701	100593

**No Gasket set consisting of:**

11941001-SB 400150

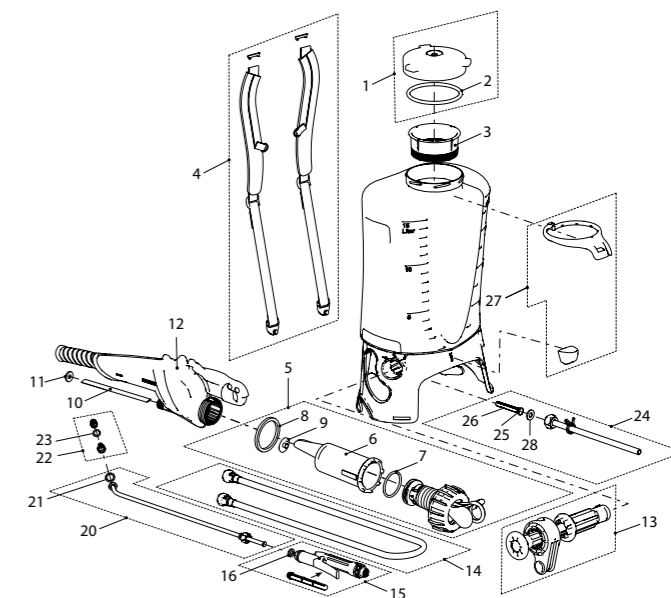
2	Gasket 108x7		
6	Cylinder		
7	O-ring 36.x3.5		
8	Gasket 56x48x4		
9	Pump gasket ø24 mm		
10	Suction tube L = 130 mm		
11	Gasket 15x5.5x2		
19	O-ring 7.66x1.78		
21	Gasket 15x7x1.5		
22	Filter		
24	Gasket 16x8x2		

**No Spare parts**

1	Lid ø137 mm	10397202-SB	151007
3	Filter screen	77009699-SB	151038
4	Carrying belt (pair)	11923302	113999
5	Pump (without pump lever)	11939301	113906
12	Pump lever	11920201	113913
13	Pump lever joint	11939401	113920
14	Trigger and hose 1.3 m, G1/2"-G1/2"	11637602-SB	710525
17	Spray tube 50 cm straight, brass	11310402	710297
18	Adjustable nozzle 1.7 mm, plastic brass	11889601	040943
20	Suction tube-set	11939501	113944
23	Spray tube holder	11934001	113951



RPD 15 ATS

**RPD 15 ATS, backpack sprayer (15 litres)**

11924801 010113

**Accessories (Pictures see page 82 ff)**

Pressure control valve PR 3 E1 (adjustable), see page 9	12098901-SB	011929
Vario Gun, stepless variable one-hand operation from spray to jet	11558501	100821
XL 8 S Telescopic lance 7 m (max. 6 bar) / working height 8 m (Spray version)	11935801	113982
Telescopic tube 0.5 - 1 m, anodised aluminium, thread G1/4"e on both sides	10985204	030104
Telescopic tube 1 - 2 m, anodised aluminium, thread G1/4"e on both sides	10985201	100456
Extension tube straight 1 m, brass, G1/4"-G1/4"e	10960601	100463
Professional spray hood oval, screw fitting	10501606	100906
Spray hood round, ø12.5 cm, screw fitting	11998601	710891
Spray boom, aluminium, max. 12 bar, screw fitting, 4 fanjet nozzles TP 11002 VP (yellow)	11889501-SB	040677
Spray boom, aluminium, max. 12 bar, screw fitting, 4 fanjet nozzles AIXR 110015 VP (green) *	12050201	150420
Biofilter for the use of home-made spray mixtures	11475701	100593

**No Gasket set consisting of:**

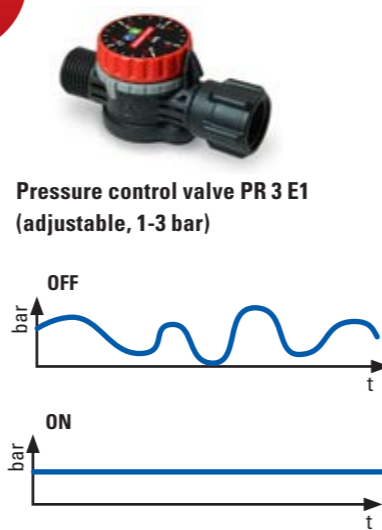
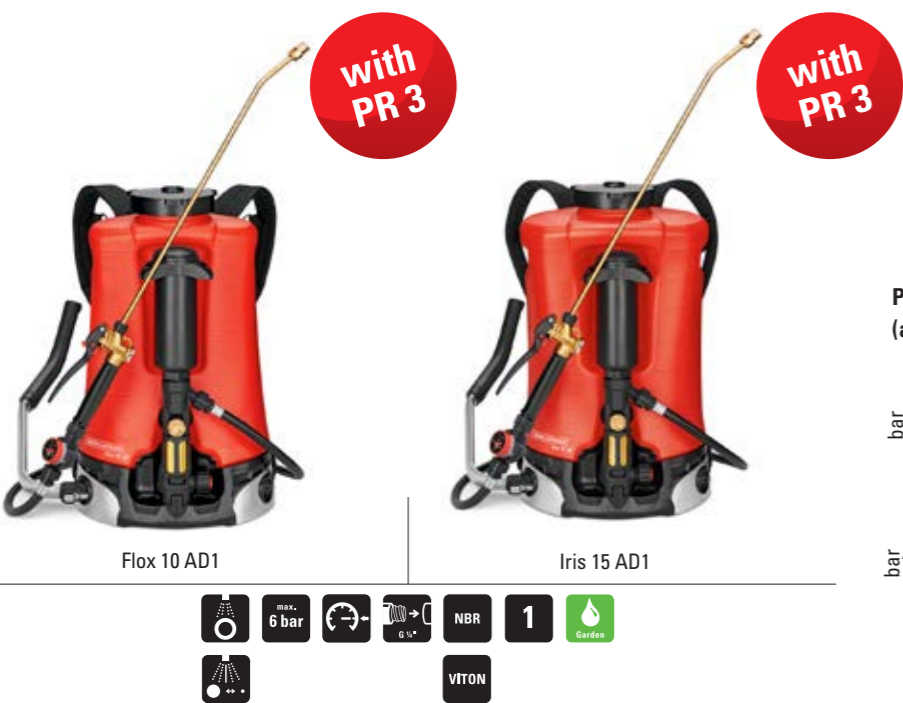
11941001-SB 400150

2	Gasket 108x7		
6	Cylinder		
7	O-ring 36x3.5		
8	Gasket 56x48x4		
9	Pump gasket ø24 mm		
10	Suction tube L = 130 mm		
11	Gasket 15x5.5x2		
16	Gasket 12.2x7x3		
21	Gasket 17x12.7x2		
23	O-ring 7.66x1.78		
25	Gasket 15x7x1.5		
26	Filter		
28	Gasket 16x8x2		

**No Spare parts**

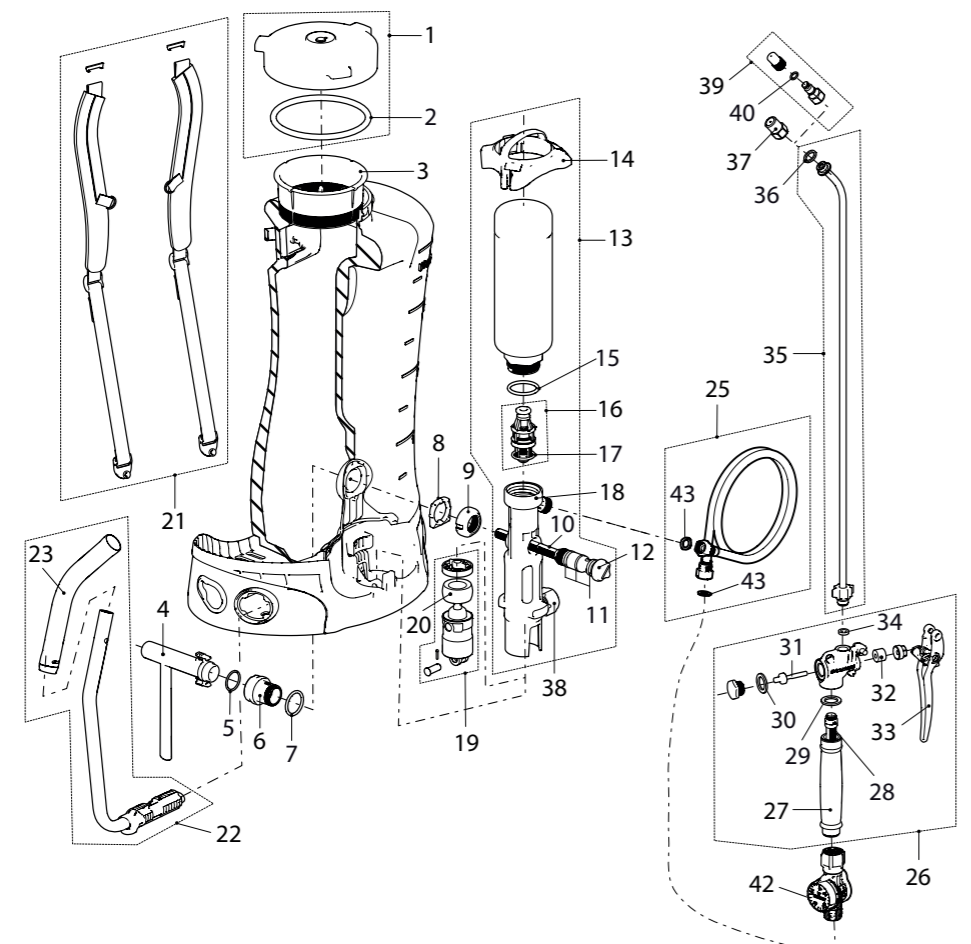
1	Lid ø137 mm	10397202-SB	151007
3	Filter screen	77009699-SB	151038
4	Carrying belt (pair)	11923401	113722
5	Pump (without pump lever)	11939301	113906
12	Pump lever	11920201	113913
13	Pump lever joint	11939401	113920
14	Hose 1.3 m, G1/2"-G1/2"	10396008-SB	113012
15	Trigger Profi G1/2"	11934701	113784
	<i>Gasket set for trigger</i>		
16	Gasket 12.7x7x3; 12 pcs per pack	11664910	040851
20	Spray tube 50 cm, curved	11370704	700311
22	Adjustable nozzle 1.7 mm, brass	28502597-SB	100777
24	Suction tube-set	11939501	113944
27	Spray tube holder	11934001	113951

\* Anti-drift fanjet nozzles



Flox 10 AD1, professional backpack sprayer (10 litres) NBR, Duro nozzle 1.5 mm, PR 3 E1	12099001	011707
Flox 10 AD3, professional backpack sprayer (10 litres) NBR, adjustable nozzle 1.3 mm, PR 3 E1	12100001	011714
Flox 10 PD1, professional backpack sprayer (10 litres) Viton, adjustable nozzle 1.3 mm, PR 3 P1	12101001	011721
Iris 15 AD1, professional backpack sprayer (15 litres) NBR, Duro nozzle 1.5 mm, PR 3 E1	12102001	011738
Iris 15 AD3, professional backpack sprayer (15 litres) NBR, adjustable nozzle 1.3 mm, PR 3 E1	12103001	011745
Iris 15 PD1, professional backpack sprayer (15 litres) Viton, adjustable nozzle 1.3 mm, PR 3 P1	12104001	011752

Spare parts for Flox 10 PD1 / Iris 15 PD1, see Spray-Matic 10 B page 58



Accessories and Spare parts for Flox 10, Iris 15 (Pictures see page 82 ff)

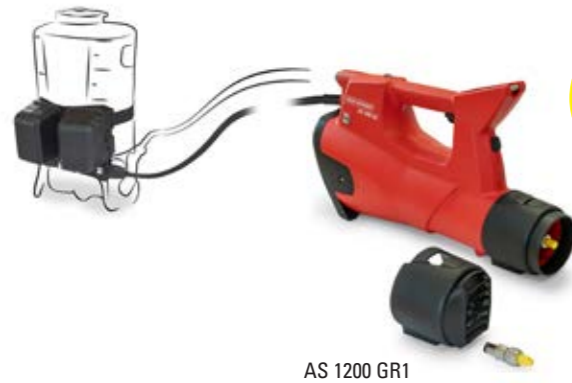
Vario Gun, stepless variable one-hand operation from spray to jet	11558501	100821
XL 8 S Telescopic lance 7 m (max. 6 bar) / working height 8 m (Spray version)	11935801	113982
Telescopic tube 0.5 - 1 m, anodised aluminium, thread G1/4"e on both sides	10985204	030104
Telescopic tube 1 - 2 m, anodised aluminium, thread G1/4"e on both sides	10985201	100456
Extension tube straight 1 m, brass, G1/4"-G1/4"e	10960601	100463
Professional spray hood oval, screw fitting	10501606	100906
Spray hood round, ø12.5 cm, screw fitting	11998601	710891
Spray boom, aluminium, max. 12 bar, screw fitting, 4 fanjet nozzles TP 11002 VP (yellow)	11889501-SB	040677
Spray boom, aluminium, max. 12 bar, screw fitting, 4 fanjet nozzles AIXR 110015 VP (green) *	12050201	150420
Biofilter for the use of home-made spray mixtures	11475701	100593
Floodjet nozzle 1.6 mm (blue)	10501803-SB	100241
Duro mist nozzle 1.65 mm, brass - for white washing and special applications	28502325-SB	100364
Waist and chest strap set	12052501	150413
Pump grease cup	11864201	031743

<b>No</b>	<b>Gasket set pump and tank consisting of: **</b>	12057501-SB	150253
2	Gasket 108x7		
5	O-ring 22x2		
7	O-ring 26x3		
10	Filter		
11	O-ring 15x3		
15	O-ring 31.34x3.53		
17	O-ring 23.47x2.62		

<b>No</b>	<b>Gasket set spraying equipment consisting of: **</b>	12058001-SB	150260
28	Filter		
29	Gasket 24x16.2x2		
30	Gasket 24x16.2x2		
31	Valve rod		
31	Shaped packing 11.8x4x4		
31	Rim		
32	Gland packing		
34	Gasket 12.2x7x3		
36	Gasket 17x12.7x2		
40	O-ring 7.66x1.78		
43	Gasket 18.5x12x2		

<b>No</b>	<b>Spare parts</b>		
1	Lid ø137 mm	10397202-SB	151007
3	Filter screen	77009699-SB	151038
4	Suction bend with o-ring (Pos.5) **	12054101-SB	150208
6	Nipple	12001301	150161
8	Anti-twist device	12001401	150154
9	Nut ø36x14 mm	12001201	150147
12	Central bolt ø27x71.9 mm	12053701	150383
13	Pump (without piston) **	12054601-SB	150215
14	Spray tube holder	12001601	150123
16	Valve insert	11388501-SB	710099
18	Valve casing **	12057401-SB	150222
19	Piston	11051203-SB	710228
20	Rubber piston-ring ø37 mm	26200301-SB	710235
21	Carrying belt, pair **	12054901-SB	150239
22	Pump lever curved with quick coupling	12054401	150246
23	Handle for pump lever	12061401	150512
25	Hose 1.3 m, G1/2"-G1/2"	10396008-SB	113012
26	Trigger brass LB, G1/2", 10 bar	12047501-SB	150048
27	Plastic handle G1/2"	10392201-SB	100944
33	Lever for trigger brass LB	12046501	150116
34	Gasket 12.2x7x3; 12 pcs per pack	11642404	040042
35	Spray tube 60 cm curved, brass	12007401	720074
36	Gasket 17x12.7x2; 10 pcs per pack	11642403	040035
37	Duro mist nozzle 1.5 mm, brass	28502324-SB	100166
38	Grease piston, <b>minimum order qty. 5 pcs</b>	10865201	040936
39	Adjustable nozzle 1.3 mm, brass	28502598-SB	100173
42	Pressure control valve PR 3 E1	12098901-SB	011929
43	Gasket 18.5x12x2; 10 pcs per pack	12177701	055084

\* Anti-drift fanjet nozzles  
\*\* Contains additional parts to the previous versions before 2019 (backward compatibility)



Blower attachment set  
12164401



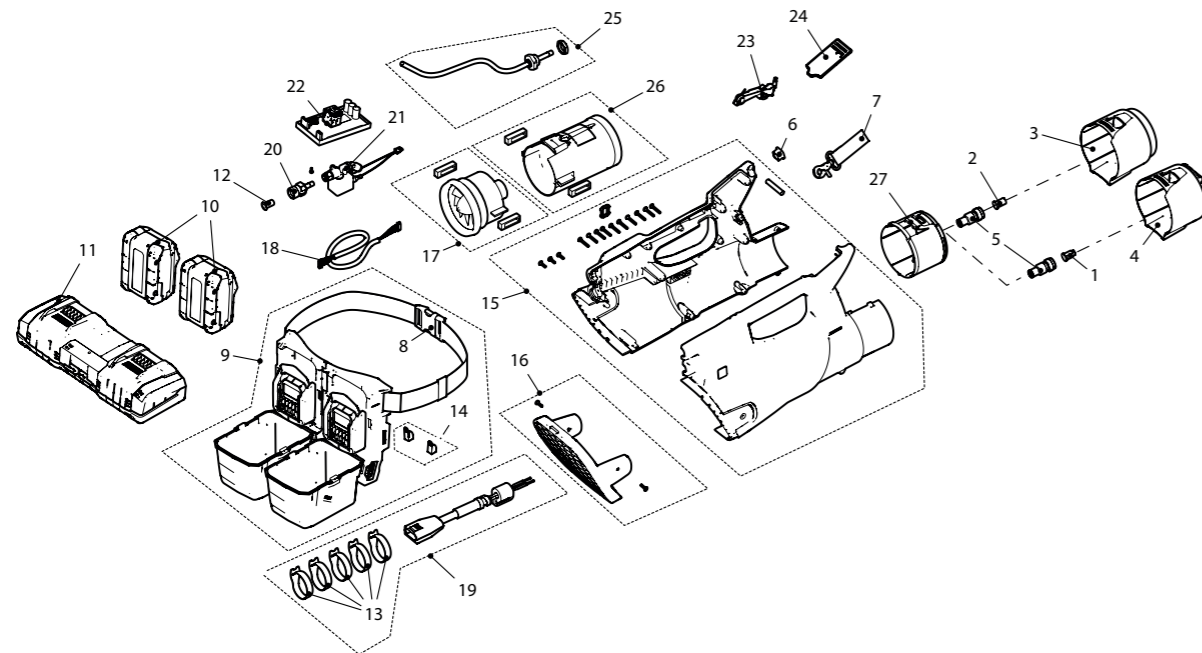
AS 1200 GR1, battery spray blower with battery pack, with charger EU/CH *	12184501	055770
AS 1200 GR2, battery spray blower without battery pack, without charger *	12185601	055794

Accessories		
Blower attachment set	12164401	053417
Shoulder strap for AS 1200, in combination with A 50 AC1 / C 50 AC1 / A 75 AC1 / A 130 AC1 / BM 1035 AC1	12124101	023069
Waist and chest strap set	12052501	150413
Spiral hose, black 7.5 m, G1/2"i - G1/2"i	11935701	028583
Special nozzle NF 125 with quick coupling	12169801	054063
Special nozzle MV 850	50142056	010731
Stainless steel hand-cart H2	12022601	720623

No	Spare parts		
1	Anti-drift fanjet nozzle AIXR 11002 VP Viton (yellow)	50142054	720098
2	Anti-drift hollow cone nozzle AITXA 8002 VK (yellow)	12049701	031903
3	Round jet nozzle	12191801	056500
4	Fanjet attachment	12192101	056517
6/13	Maintenance set	12050801	500031
7	Load bearing belt	12042301	031880
8	Fastening strap for the battery carrying unit	12125001	015125
9	Battery carrying unit with metal clip	12124501	015118
10	Battery pack 18 V LiHD / 10.0 Ah	12100701	012247
11	Double quick charger ASC 145 DUO, 220-240 V, EU - plug type F	12118501	014357
12	Filter 8079-PP-100, minimum order qty. 5 pcs	50142048	014746
14	Metal clip set for AS 1200 CAS	12164101	053387

Detailed spare parts list see [www.birchmeier.com](http://www.birchmeier.com)

\* Only in combination with REB 15 AC1 / REC 15 AC1 / REX 15 AC1 / A 50 AC1 / C 50 AC1 / C 50 AC 3 / A75 AC1 / A 130 AC1 / BM 1035 AC1  
Combination with industrial units, see page 62



## AS 1200 for mobile and stationary battery spray applications

### Portable battery backpack spray systems



**CAS** REC 15 AC1  
Tank volume: 15 litres  
Art.no. 12070901



**CAS** REB 15 AC1  
Tank volume: 15 litres  
Art.no. 12070801



**CAS** REX 15 AC1  
Tank volume: 15 litres  
Art.no. 12071001



### Mobile and stationary battery spray systems



**CAS** A 50 AC1  
Tank volume: 50 litres  
Art.no. 12072701



**CAS** A 75 AC1  
Tank volume: 75 litres  
Art.no. 12073801

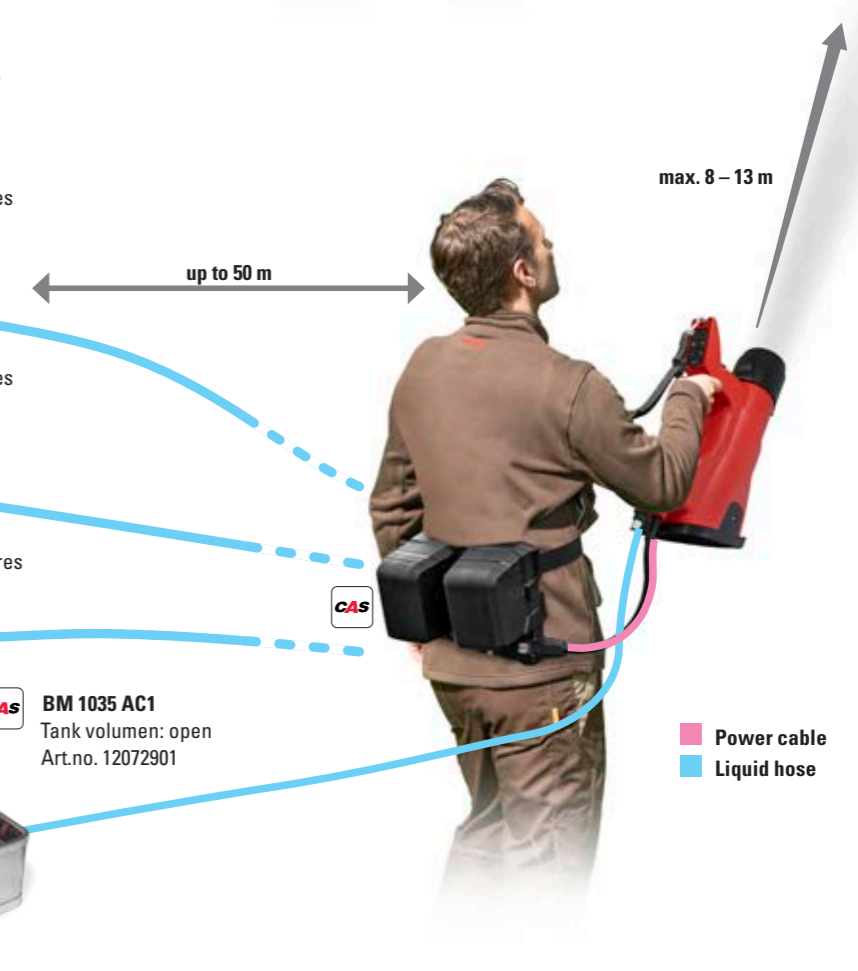


**CAS** A 130 AC1  
Tank volume: 130 litres  
Art.no. 12073901



**CAS** BM 1035 AC1  
Tank volumen: open  
Art.no. 12072901

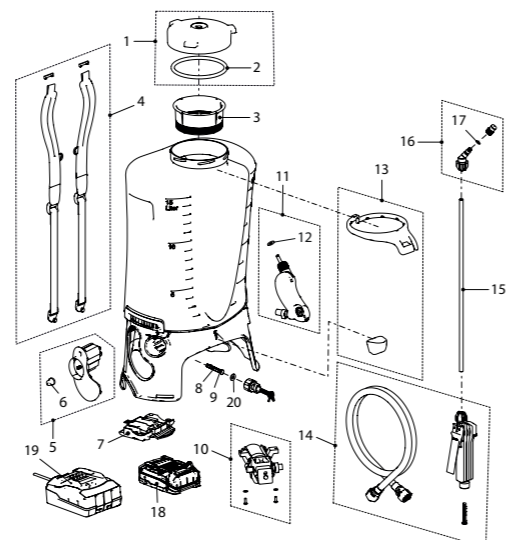
Existing tanks





**CAS**  
ACCU  
POWER

RE A 15 AC1

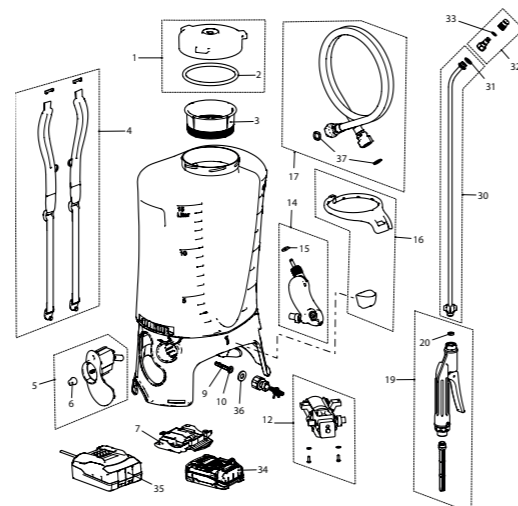


RE A 15 AC1, backpack sprayer (15 litres) with battery pack, with charger EU	12070701	220130
<b>Accessories (Pictures see page 82 ff)</b>		
Vario Gun, stepless variable one-hand operation from spray to jet	11558501	100821
Telescopic tube 0.45 - 0.9 m, plastic/aluminium	11659001-SB	030098
Spray hood oval, compression fitting	11871101	110066
Spray boom, aluminium, max. 12 bar, screw fitting, 4 fanjet nozzles TP 11002 VP (yellow)	11889501-SB	040677
Biofilter for the use of home-made spray mixtures	11475701	100593
<b>Gasket set, No 2,8,9,12,17,20</b>	12014301	720395
<b>No Spare parts</b>		
1 Lid ø137 mm	10397202-SB	151007
3 Filter screen	77009699-SB	151038
4 Carrying belt (pair)	11923401	113722
5 Electronic	12075801	151205
6 Potentiometer knob, <b>minimum order qty. 5 pcs</b>	11922701	720838
7 Battery fixing plate	12075501	151106
10 Pump and motor	12017801	720463
11 Air vessel	12017901	720470
13 Spray tube holder	11934001	113951
14 Trigger valve with hose 1.3 m, G1/2"-G1/2"	11637602-SB	710525
15 Spray tube 50 cm straight, brass	11310402	710297
16 Adjustable nozzle 1.7 mm, plastic-brass	11889601	040943
18 Battery pack 18 V Li-Power / 2.0 Ah *	12070301	150871
19 Charger SC 36, 220-240 V, EU - plug type C *	12074501	150949



**CAS**  
ACCU  
POWER

RE B 15 AC1



RE B 15 AC1, backpack sprayer (15 litres) with battery pack, with charger EU	12070801	220147
RE B 15 AC2, backpack sprayer (15 litres) without battery pack, without charger	12111701	013350
RE B 15 AC5, backpack sprayer (15 litres) with battery pack, without charger	12139101	038131

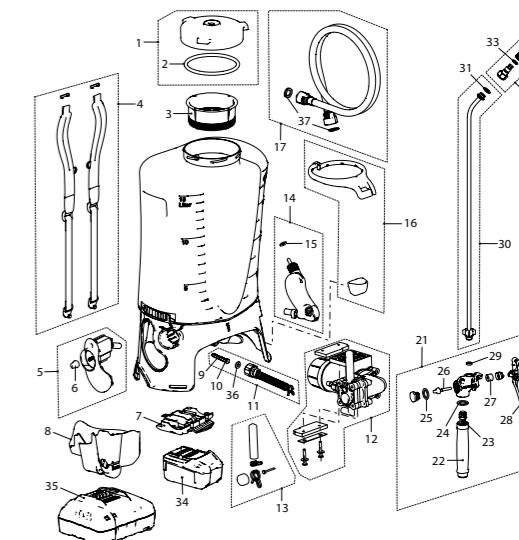
**Accessories and spare parts see REC 15 AC1 page 35 ff)**

\* Further information about the battery packs (2.0 - 10.0 Ah) and chargers, see page 83 / 84



**CAS**  
ACCU  
POWER

REC 15 AC1



REC 15 AC1, backpack sprayer (15 litres) with battery pack, with charger EU	12070901	220154
REC 15 AC2, backpack sprayer (15 litres) without battery pack, without charger	12073001	220192
REC 15 AC5, backpack sprayer (15 litres) with battery pack, without charger	12139201	038148
<b>Accessories (Pictures see page 82 ff)</b>		
AS 1200 GR1, battery spray blower (incl. battery carrying unit) (only REC 15 AC1)	12184501	055770
Vario Gun, stepless variable one-hand operation from spray to jet	11558501	100821
Floodjet nozzle 1.6 mm (blue)	10501803-SB	100241
XL 8 S Telescopic lance 7 m (max. 6 bar) / working height 8 m (Spray version)	11935801	113982
Telescopic tube 1- 2 m, anodised aluminium, thread G1/4"e on both sides	10985201	100456
Professional spray hood oval, screw fitting	10501606	100906
Spray hood, 12.5 cm, screw fitting	11998601	710891
Spray boom, aluminium, screw fitting, 4 fanjet nozzles XR 11001 VS (orange) for REB / REC	12033001	720845
Duro mist nozzle 1.65 mm, brass - for white washing and special applications	28502325-SB	100364
Biofilter for the use of home-made spray mixtures	11475701	100593
<b>Gasket set, No 2,9,10,15,20,31,33,36,37</b>	REC / REB	11934101
<b>Gasket set spraying equipment, No 23,24,25,26,27,29,31,33</b>	REC	12058001-SB
<b>Nr. Spare parts</b>		
1 Lid ø137 mm	REC / REB	10397202-SB
3 Filter screen	REC / REB	77009699-SB
4 Carrying belt (pair)	REC / REB	11923401
5 Electronic	REC	12076201
5 Electronic	REB	12075901
6 Potentiometer knob, <b>minimum order qty. 5 pcs</b>	REC / REB	11922701
7 Battery fixing plate	REC	12075601
7 Battery fixing plate	REB	12075501
8 Motor cover complete	REC	11948701
11 Suction tube	REC	12078501
12 Pump and motor	REC	11923002
12 Pump and motor	REB	12017801
13 Diaphragm and pulsation damper set	REC	11998301
14 Air vessel	REC	11933302
14 Air vessel	REB	12071501
16 Spray tube holder	REC / REB	11934001
17 Hose 1.3 m, G1/2"-G1/2"	REC / REB	10396008-SB
19 Trigger Profi G1/2"	REB	11934701
<b>Gasket set for trigger</b>	REB	11664910
20/29 Gasket 12.2x7x3; 12 pcs per pack	REB / REC	11642404
21 Trigger brass LB, G1/2", 10 bar	REC	12047501-SB
22 Plastic handle G1/2"	REC	10392201-SB
28 Lever for trigger brass LB	REC	12046501
30 Spray tube 60 cm curved, brass	REB / REC	12007401
31 Gasket 17x12.7x2; 10 pcs per pack	REB / REC	11642403
32 Adjustable nozzle 1.7 mm, brass	REB / REC	28502597-SB
34 Battery pack 18 V Li-Power / 4.0 Ah *	REC	12071401
34 Battery pack 18 V Li-Power / 2.0 Ah *	REB	12070301
35 Quick charger ASC 55, 220-240 V, EU - plug type C *	REC	12070101
35 Charger SC 36, 220-240 V, EU - plug type C *	REB	12074501

\* Further information about the battery packs (2.0 - 10.0 Ah) and chargers, see page 83 / 84



REX 15 AC1

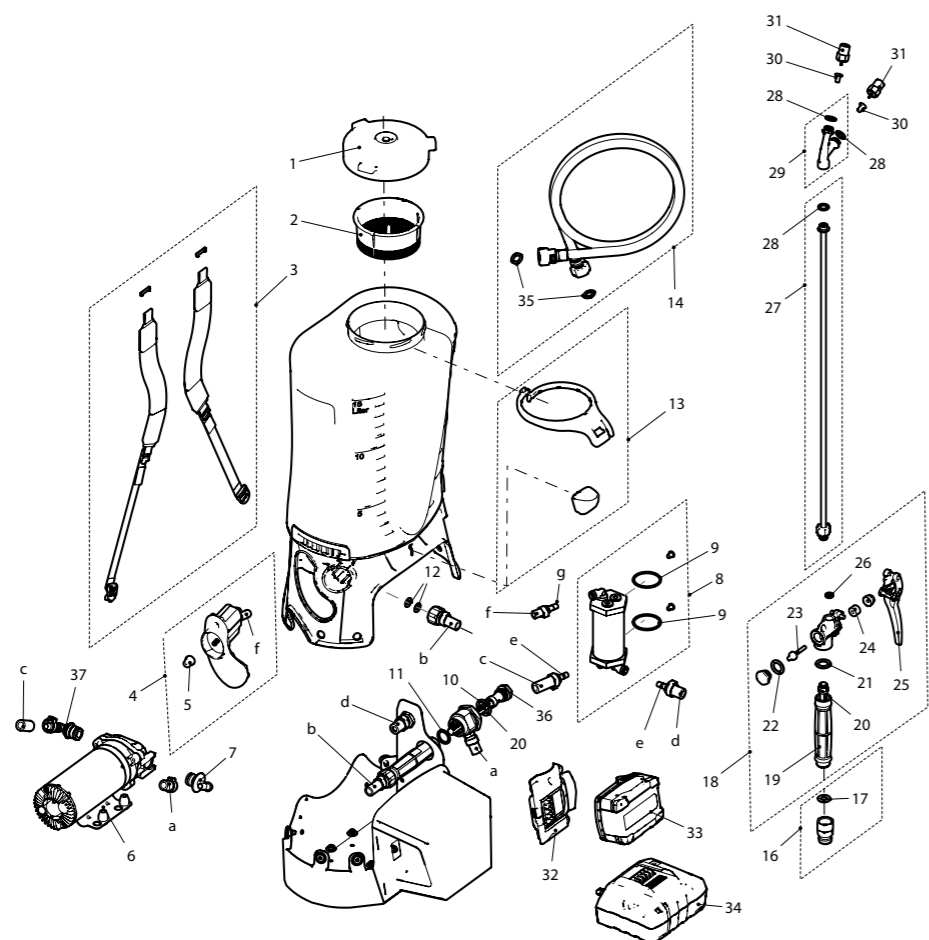
**CAS**  
ACCU  
POWER



Stainless steel hand-cart H2



REX 15 AC1, backpack sprayer (15 litres) with battery pack, with charger EU	12071001	220222
REX 15 AC2, backpack sprayer (15 litres) without battery pack, without charger	12114101	013633
REX 15 AC5, backpack sprayer (15 litres) with battery pack, without charger	12139401	038162
<b>Accessories (Pictures see page 82 ff)</b>		
AS 1200 GR1, battery spray blower (incl. battery carrying unit)	12184501	055770
Spiral hose, black 7.5 m, G1/2"i - G1/2"i	11935701	028583
Vario Gun, stepless variable one-hand operation from spray to jet	11558501	100821
Floodjet nozzle 1.6 mm (blue)	10501803-SB	100241
Anti-drift 95% fanjet nozzle, G1/4"i	12171701	054261
Duro mist nozzle 1.5 mm, brass	28502324-SB	100166
XL 8 S Telescopic lance 7 m (max. 6 bar) / working height 8 m (Spray version)	11935801	113982
Spray boom, aluminium, max. 12 bar, screw fitting, 4 fanjet nozzles TP 11002 VP (yellow)	11889501-SB	040677
Spray boom, aluminium, max. 12 bar, screw fitting, 4 fanjet nozzles AIXR 110015 VP (green) *	12050201	150420
Waist and chest strap set	12052501	150413
Stainless steel hand-cart H2	12022601	720623



No	Repair set consisting of:	12008301	720234
7	Connector angled 90°, ø10 mm for pump 12 V / 10 bar		
9	O-ring 40.94x2.62		
11	Gasket 24x19x2		
	Hose clamp ø17.5 mm with insert ring (1 pcs)		
	Hose clamp ø18.5 mm with insert ring (1 pcs)		

No	Gasket set consisting of:	12060601	012162
10	Gasket 28x21x1.5		
12	Gasket 15x7.5x2		
17	Gasket 18.5x12x2		
20	Filter		
21	Gasket 24x16.2x2		
22	Gasket 24x16.2x2		
23	Valve rod		
23	Shaped packing 11.8x4x4		
23	Rim		
24	Gland packing		
26	Gasket 12.2x7x3		
27	Gasket 17x12.7x2		
35	Gasket 18.5x12x2		

	Hose set consisting of:	12024701	720630
a	Hose ø10x15.8, PVC-P transparent, L = 0.3 m		
b	Hose ø10x15.8, PVC-P transparent, L = 0.35 m		
c	Hose ø10x17, PVC black, L = 0.48 m		
d	Hose ø10x17, PVC black, L = 0.5 m		
e	Hose nipple ø10 to plug connection ( 2 pcs)		
f	Hose ø6x12, oil resistant, L = 0.3 m		
g	Hose nipple ø6 to plug connection ( 1 pcs)		
	Hose clamp ø14.5 mm with insert ring (2 pcs)		
	Hose clamp ø17.5 mm with insert ring (2 pcs)		
	Hose clamp ø18.5 mm with insert ring (2 pcs)		
	Hose clamp ø19.5 mm with insert ring (4 pcs)		

Nr.	Spare parts		
1	Lid ø137 mm	10397202-SB	151007
2	Filter screen	77009699-SB	151038
3	Carrying belt (pair)	11923401	113722
4	Electronic	12076301	151236
5	Potentiometer knob, <b>minimum order qty. 5 pcs</b>	11922701	720838
6	Pump and motor 12 V / 10 bar	12069701	200125
8	Air vessel	12008001	720203
13	Spray tube holder	11934001	113951
14	Hose 1.3 m, G1/2"-G1/2", oil resistant	11956301	400501
16	Swivel joint, G1/2"	10397901-SB	700502
18	Trigger brass LB, G1/2", 10 bar	12047501-SB	150048
19	Plastic handle G1/2"	10392201-SB	100944
25	Lever for trigger brass LB	12046501	150116
26	Gasket 12.2x7x3; 12 pcs per pack	11642404	040042
27	Spray tube 60 cm straight, brass	12007301	720067
28	Gasket 17x12.7x2; 10 pcs per pack	11642403	040035
29	Double nozzle holder SW, thread G1/4"	12006401	031798
30	Anti-drop-valve (1x anti-drop-valve, 1x adapter for anti-drop-valve)	12061201	150468
31	Duro mist nozzle 1.3 mm, brass	28502323-SB	100258
32	Fixing for battery plate	12075701	151199
33	Battery pack 18 V Li-Power / 5.2 Ah **	12072501	150918
34	Quick charger ASC 55, 220-240 V, EU - plug type C **	12070101	150864
35	Gasket 18.5x12x2; 10 pcs per pack	12177701	055084
36	Filter holder	12019801	029048
37	Connector ø10 mm for pump 12 V / 10 bar, brass	12177201	055039

\* Anti-drift fanjet nozzles

\*\* Further information about the battery packs (2.0 - 10.0 Ah) and chargers, see page 83 / 84

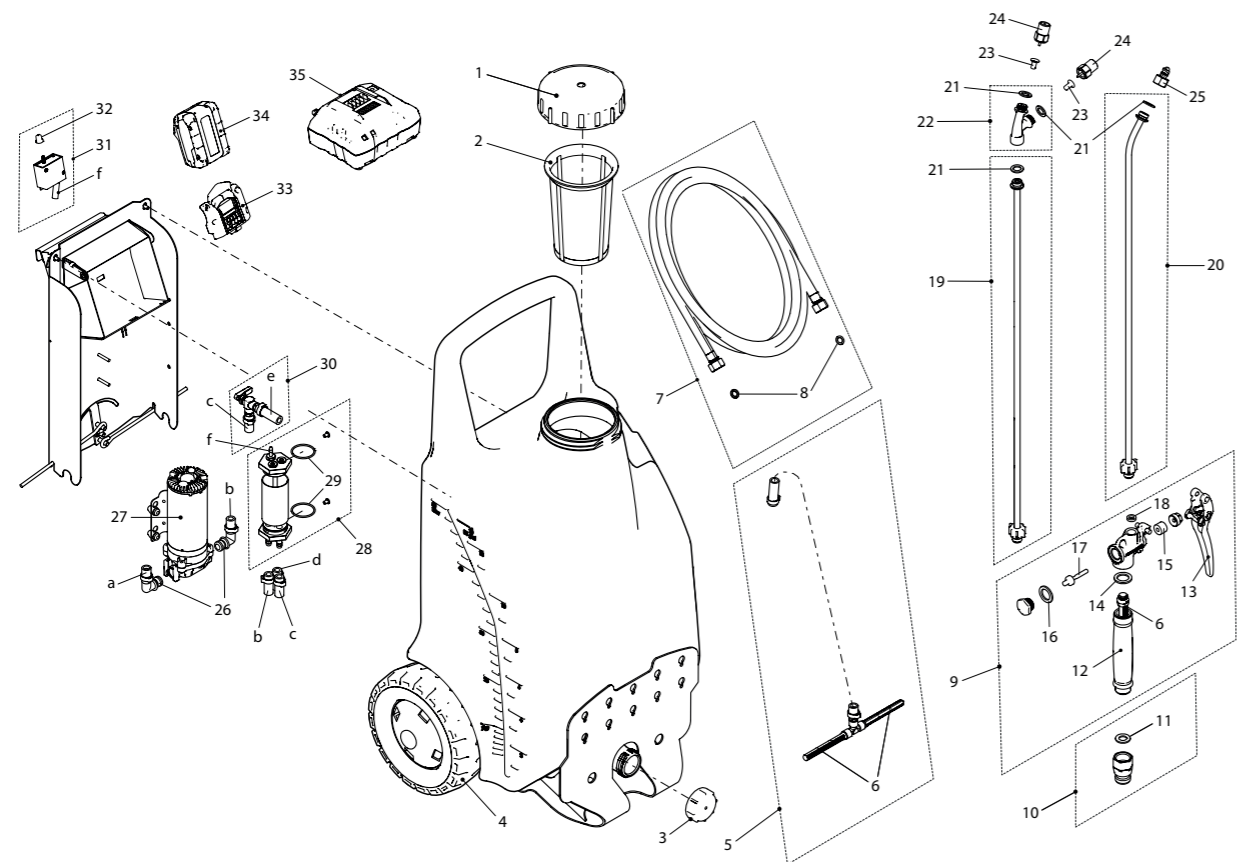


**CAS**  
ACCU  
POWER

A 50 AC1



A 50 AC1, two-wheel battery sprayer (50 litres) with battery pack, with charger EU *	12072701	220260
A 50 AC2, two-wheel battery sprayer (50 litres) without battery pack, without charger *	12114201	013640
A 50 AC5, two-wheel battery sprayer (50 litres) with battery pack, without charger *	12139501	038179
<b>Accessories (Pictures see page 82 ff)</b>		
AS 1200 GR1, battery spray blower (incl. battery carrying unit)	12184501	055770
Shoulder strap for AS 1200, in combination with A 50 / C 50	12124101	023069
Vario Gun, stepless variable one-hand operation from spray to jet	11558501	100821
Oval spray hood, white, for controlled area spraying, screw fitting	10501606	100906
XL 8 S Telescopic lance 7 m (max. 6 bar) / working height 8 m (Spray version)	11935801	113982
Spray boom, aluminium, max. 12 bar, screw fitting, 4 fanjet nozzles TP 11002 VP (yellow)	11889501-SB	040677
Spray boom, aluminium, max. 12 bar, screw fitting, 4 fanjet nozzles AIXR 110015 VP (green) **	12050201	150420
Duro mist nozzle 1.65 mm, brass - for white washing and special applications	28502325-SB	100364
Adjustable nozzle 1.7 mm, brass	28502597-SB	100777
Anti-drift 95% fanjet nozzle, G1/4"	12171701	054261



\* Different discount rate for large units  
\*\* Anti-drift fanjet nozzles

	<b>Repair set, No 26/29 (with hose clamp)</b>	12008301	720234
	<b>Gasket set, No 6/8/11/14/15/16/17/18/21</b>	12060601	012162
	<b>Hose set with hose clamp (a/b/c/d/e/f)</b>	12008201	720227
<b>No</b>	<b>Spare parts</b>		
1	Lid ø161 mm	11993501	720111
2	Filter screen	11993601	720128
3	Closing cap	12132801	023816
4	Wheel (1 pcs)	12007501	720135
5	Suction tube-set	12007601	720142
7	Hose 10 m, G1/2"-G1/2"	12007701	720159
8	Gasket 17x11x1.5; 10 pcs per pack	11950101	400211
9	Trigger brass KB, G1/2", 10 bar	12068501	150819
10	Swivel joint G1/2"	10397901-SB	700502
12	Plastic handle G1/2"	10392201-SB	100944
13	Lever for trigger brass KB	12067901	150802
18	Gasket 12.2x7x3; 12 pcs per pack	11642404	040042
19	Spray tube 60 cm straight, brass	12007301	720067
20	Spray tube 60 cm curved, brass	12007401	720074
21	Gasket 17x12.7x2; 10 pcs per pack	11642403	040035
22	Double nozzle holder SW, thread G1/4"	12006401	031798
23	Anti-drop-valve (1x anti-drop-valve, 1x adapter for anti-drop-valve)	12061201	150468
24	Duro mist nozzle 1.5 mm, brass	28502324-SB	100166
25	Floodjet nozzle 1.6 mm (blue) (Herbicide nozzle)	10501803-SB	100241
27	Pump and motor 12 V / 10 bar	12069701	200125
28	Air vessel	12008001	720203
30	Mixing valve	12008101	720210
31	Electronic	12076401	151168
32	Potentiometer knob, <b>minimum order qty. 5 pcs</b>	11922701	720838
33	Fixing for battery plate	12075701	151199
34	Battery pack 18 V LiHD / 8.0 Ah **	12073601	150932
35	Quick charger ASC 55, 220-240 V, EU - plug type C **	12070101	150864



**NEW**  
**CAS**  
ACCU  
POWER

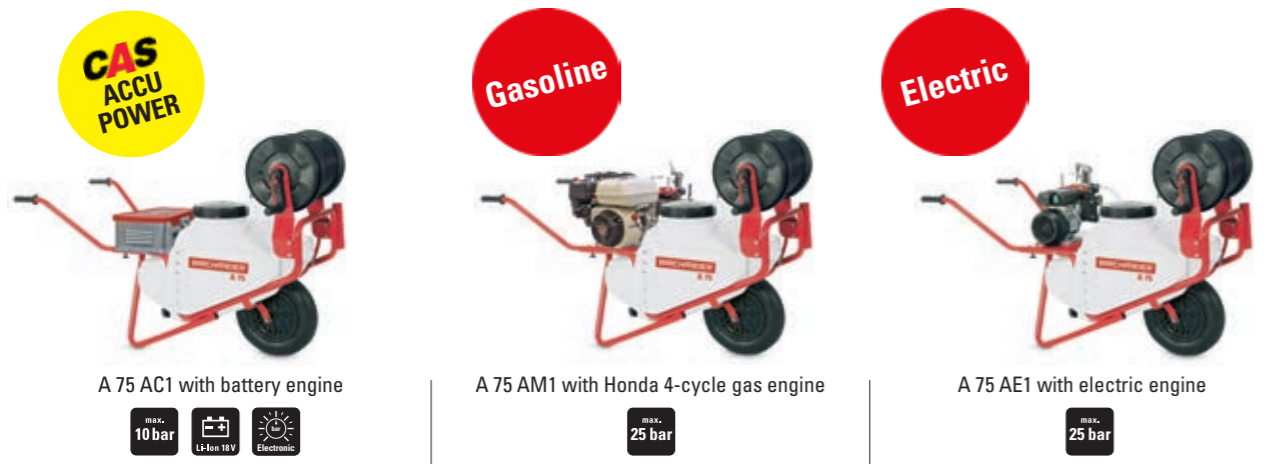
C 50 AC1



C 50 AC1, two-wheel battery sprayer (50 litres) with battery pack, with charger EU *	12161801	053127
C 50 AC2, two-wheel battery sprayer (50 litres) without battery pack, without charger *	12161901	053134
C 50 AC5, two-wheel battery sprayer (50 litres) with battery pack, without charger *	12162001	053141
C 50 AC3, two-wheel battery watering trolley *	12172901	054483

Accessories and spare parts see [www.birchmeier.com](http://www.birchmeier.com)

\* Different discount rate for large units  
\*\* Further information about the battery packs (2.0 - 10.0 Ah) and chargers, see page 83 / 84



A 75 AC1, wheelbarrow sprayer (75 litres) with battery pack, with charger EU *	12073801	220338
A 75 AC2, wheelbarrow sprayer (75 litres) without battery pack, without charger *	12114401	013664
A 75 AC5, wheelbarrow sprayer (75 litres) with battery pack, without charger *	12139701	038193
A 75 AM1, wheelbarrow sprayer (75 litres) with Honda gas engine GP 160, pump AR 252 *	11874101	210100
A 75 AE1, wheelbarrow sprayer (75 litres) with electric engine, pump AR 252 *	11874201	210117

Attention: basic configuration with hose winch (with 50 m hose) and swivel joint, without spraying equipment!

#### Accessories A 75 AC1 / A 75 AM1 / A 75 AE1 (Pictures see page 82 ff)

AS 1200 GR1, battery spray blower (incl. battery carrying unit) (max. 10 bar)	12184501	055770
Shoulder strap for AS 1200, in combination with A 75	12124101	023069
Vario Gun, stepless variable one-hand operation from spray to jet (A 75 AC1/AC2/AC5)	11558501	100821
Trigger Gun Media for all applications (A 75 AM1)	10368301-SB	200040
Trigger Gun Media insulated, for electric applications (A 75 AE1)	10368307	200064
Trigger brass KB, G1/2" thread, brass handle nickel, 25 bar	12053501	150079
Spray tube 50 cm, with adjust. connect. G1/4" e on both sides	11370704	700311
Duro mist nozzle 1.5 mm, brass	28502324-SB	100166
Hose extension ø10 x 3.75, G1/2"-G1/2": 10 m (40 bar)	11643701	030005
Hose extension ø10 x 3.75, G1/2"-G1/2": 20 m (40 bar)	11643703	030029
Hose extension ø10 x 3.75, G1/2"-G1/2": 30 m (40 bar)	11643704	030036
Double ended connection G1/2" e-G1/2" e for hose extension	80400701	700588
Rapidon 6 petrol can / Traded unit 5 pcs	11851301	020105

#### A 75 (Honda and electric motor) can be converted with BM 1035

Battery retrofit set for A 75	12059601	150437
-------------------------------	----------	--------

#### Spare parts

Gasket set Gun Media	10501701-SB	700182
Swivel joint, keeps hose from twisting	10397901-SB	700502
Hose winch for A 75 AC1 / AM1 / AE1 (incl. 50 m hose ø10 mm)	11869205	110134
Battery pack 18 V LiHD / 8.0 Ah **	12073601	150932
Quick charger ASC 55, 220-240 V, EU - plug type C **	12070101	150864

Detailed spare parts list see [www.birchmeier.com](http://www.birchmeier.com)

\* Different discount rate for large units

\*\* Further information about the battery packs (2.0 - 10.0 Ah) and chargers, see page 83 / 84



A 130 AC1, wheelbarrow sprayer (130 litres) with battery pack, with charger EU *	12073901	220345
A 130 AC2, wheelbarrow sprayer (130 litres) without battery pack, without charger *	12114501	013671
A 130 AC5, wheelbarrow sprayer (130 litres) with battery pack, without charger *	12139801	038209
A 130 AM1, wheelbarrow sprayer (130 litres) with Honda gas engine GP 160, pump AR 252 *	11868701	210124
A 130 AE1, wheelbarrow sprayer (130 litres) with electric engine, pump AR 252 *	11868801	210131

Attention: basic configuration with hose winch (with 50 m hose) and swivel joint, without spraying equipment!

#### Accessories A 130 AC1 / A 130 AM1 / A 130 AE1 (Pictures see page 82 ff)

AS 1200 GR1, battery spray blower (incl. battery carrying unit) (max. 10 bar)	12184501	055770
Shoulder strap for AS 1200, in combination with A 130 AC1	12124101	023069
Vario Gun, stepless variable one-hand operation from spray to jet (A 130 AC1/AC2/AC5)	11558501	100821
Trigger Gun Media for all applications (A 130 AM1)	10368301-SB	200040
Trigger Gun Media insulated, for electric applications (A 130 AE1)	10368307	200064
Trigger brass KB, G1/2" thread, brass handle nickel, 25 bar	12053501	150079
Spray tube 50 cm, with adjust. connect. G1/4" e on both sides	11370704	700311
Duro mist nozzle 1.5 mm, brass	28502324-SB	100166
Hose extension ø10 x 3.75, G1/2"-G1/2": 10 m (40 bar)	11643701	030005
Hose extension ø10 x 3.75, G1/2"-G1/2": 20 m (40 bar)	11643703	030029
Hose extension ø10 x 3.75, G1/2"-G1/2": 30 m (40 bar)	11643704	030036
Double ended connection G1/2" e-G1/2" e for hose extension	80400701	700588
Rapidon 6 petrol can / Traded unit 5 pcs	11851301	020105

#### A 130 (Honda and electric motor) can be converted with BM 1035

Battery retrofit set for A 130	12059601	150437
--------------------------------	----------	--------

#### Spare parts

Gasket set Gun Media	10501701-SB	700182
Swivel joint, keeps hose from twisting	10397901-SB	700502
Hose winch for A 130 AC1 / AM1 / AE1 (incl. 50 m hose ø10 mm)	11869202	110141
Battery pack 18 V LiHD / 8.0 Ah **	12073601	150932
Quick charger ASC 55, 220-240 V, EU - plug type C **	12070101	150864

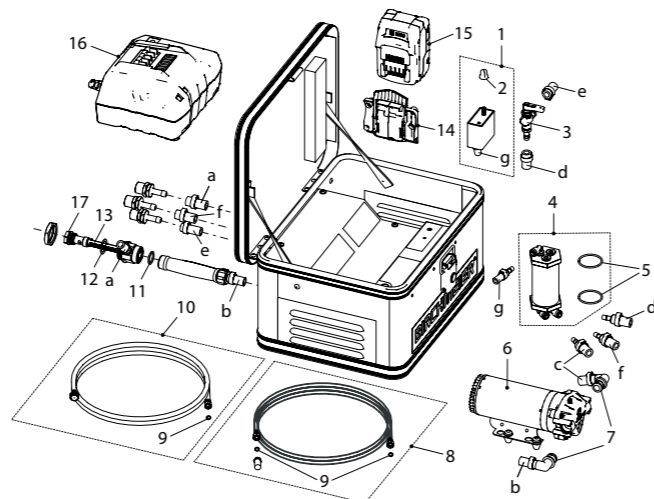
Detailed spare parts list see [www.birchmeier.com](http://www.birchmeier.com)

\* Different discount rate for large units

\*\* Further information about the battery packs (2.0 - 10.0 Ah) and chargers, see page 83 / 84



BM 1035 AC1

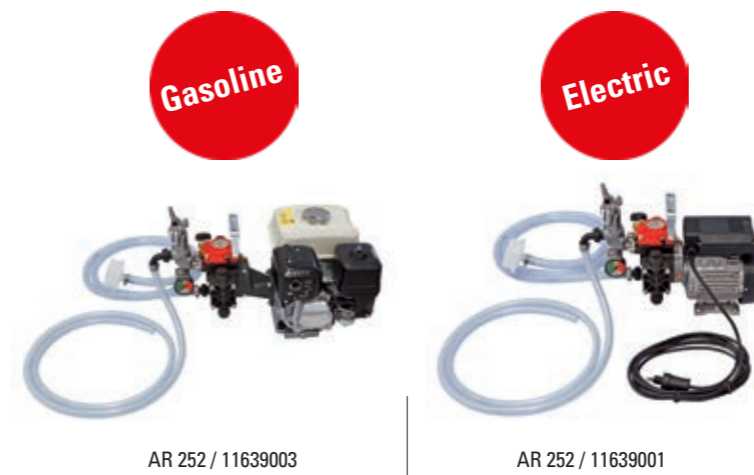


BM 1035 AC1, pump station with battery pack, with charger EU *	12072901	220307
BM 1035 AC2, pump station without battery pack, without charger *	12114301	013657
BM 1035 AC5, pump station with battery pack, without charger *	12139601	038186
<b>Accessories (Pictures see page 82 ff)</b>		
AS 1200 GR1, battery spray blower (incl. battery carrying unit) (max. 10 bar)	12184501	055770
Shoulder strap for AS 1200, in combination with BM 1035	12124101	023069
Hose 10 m, G1/2"-G1/2"	12007701	720159
Vario Gun, stepless variable one-hand operation from spray to jet	11558501	100821
Trigger brass LB, G1/2"	12047501-SB	150048
Swivel joint, keeps hose from twisting	10397901-SB	700502
Spray tube 60 cm, without adjust. connect., G1/4"e on both sides	28556603	700250
Double nozzle holder SW, thread G1/4"	12006401	031798
Duro mist nozzle 1.5 mm, brass	28502324-SB	100166
Fanjet nozzle G1/4", TP 8002 brass	11612810	110561
XL 8 S Telescopic lance 7 m (max. 6 bar) / working height 8 m (Spray version)	11935801	113982
<b>No Repair set consisting of:</b>	12008301	720234
5 O-ring 40.94x2.62		
7 Connector angled 90°, ø10 mm for pump 12 V / 10 bar		
11 Gasket 24x19x2		
Hose clamp ø17.5 mm with insert ring (1 pcs)		
Hose clamp ø18.5 mm with insert ring (1 pcs)		
<b>No Gasket set consisting of:</b>	12060601	012162
9 Gasket 17x11x1.5		
12 Gasket 28x21x1.5		
13 Filter		
<b>Hose set consisting of:</b>	12031601	720760
a Hose ø10x15.8, PVC transparent, L = 0.35 m		
b Hose ø10x15.8, PVC transparent, L = 0.5 m		
c Hose ø10x17, PVC black, L = 0.14 m		
d Hose ø10x17, PVC black, L = 0.35 m		
e Hose ø10x17, PVC black, L = 0.4 m		
f Hose ø10x17, PVC black, L = 0.35 m		
g Hose ø6x12, oil resistant, L = 0.35 m		
<b>Complete hose set at www.birchmeier.com</b>		
<b>No Spare parts</b>		
1 Electronic	12076401	151168
2 Potentiometer knob, <b>minimum order qty. 5 pcs</b>	11922701	720838
3 Mixing valve	12008101	720210
4 Air vessel	12008001	720203
6 Pump and motor 12 V / 10 bar	12069701	200125
8 Suction tube	12031401	720746
9 Gasket 17x11x1.5; 10 pcs per pack	11950101	400211
10 Return hose	12031501	720753
14 Fixing for battery plate	12075701	151199
15 Battery pack 18 V LiHD / 8.0 Ah **	12073601	150932
16 Quick charger ASC 55, 220-240 V, EU - plug type C **	12070101	150864
17 Filter holder	12019801	029048

A 75 / A 130 (Honda and electric motor) can be converted with BM 1035 and retrofit set (Art.no. 12059601)

\* Different discount rate for large units

\*\* Further information about the battery packs (2.0 - 10.0 Ah) and chargers, see page 83 / 84



AR 252 / 11639003

AR 252 / 11639001



Gas powered pump, Honda 4-cycle gas engine GP 160, pump AR 252 *	11639003	014135
Electric powered pump (230 V) with pump AR 252 *	11639001	014043
<b>Spare parts</b>		
Membrane NBR (Set with 2 pcs)	11693802	040974
Membrane Viton, 2 pcs needed per pump	11693803	040981

Detailed spare parts list see [www.birchmeier.com](http://www.birchmeier.com)



Rapidon 6



Rapidon 6, petrol can / Traded unit 5 pcs	11851301	020105
<b>TU selling price 5 pcs</b>		
Display loose, Rapidon 6 (to display 12 pcs)	12018901	720500
<b>Spare parts</b>		
Closing cap	11853201	110073
Spout Rapidon 6	11914201	040967

See also funnel, page 19

\* Different discount rate for large units

\*\* Further information about the battery packs (2.0 - 10.0 Ah) and chargers, see page 83 / 84

## Explanation of the pictograms

### 1. Nozzle type



### 2. Maximal working pressure<sup>2</sup>



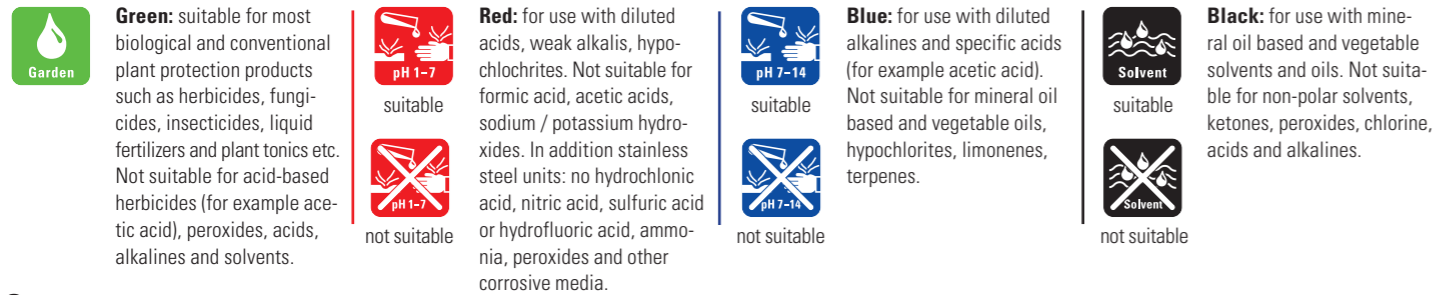
### 3. Connection<sup>3</sup>



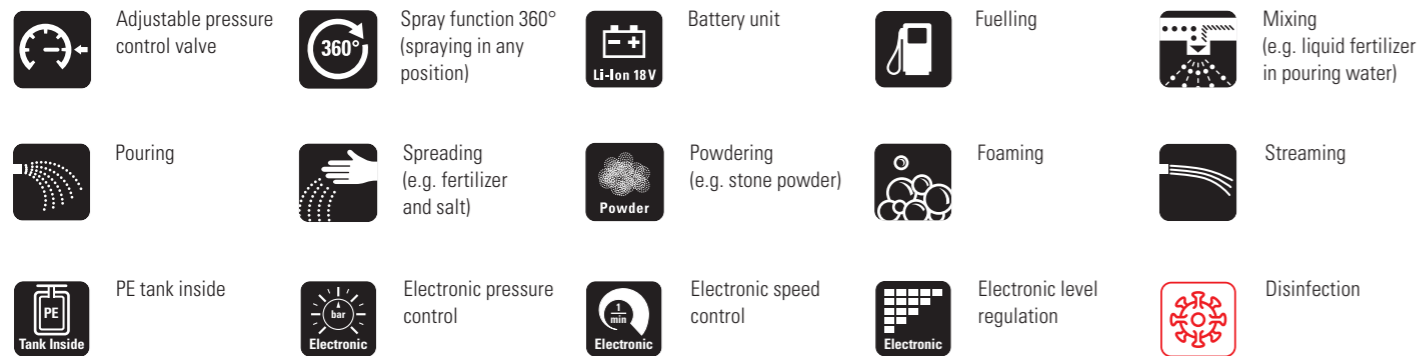
### 4. Stress class<sup>4</sup>



### 5. Resistance<sup>5</sup>



### 6. Special function



#### Legend:

- 1 Only screw fitting (see point no. 3)
- 2 The safety valve prevents that these pressures are exceeded at compression sprayers
- 3 Compression or screw fitting (for nozzles, spraying tube, accessories, etc.)
- 4 The stress class referred to the classification of Birchmeier products in its resilience and robustness
- 5 The green / red / blue / black coding is a non-binding assistance for choosing the right sprayer and foamer of Birchmeier. Depending on the composition of the spraying agent, this coding may differ. In doubt, follow the recommendations of the chemical manufacturer.

#### Important:

Because of differences in conditions (concentration, temperature, pressure etc.) and composition of chemicals / fluids the recommended colour coding green / red / blue / black are only guidelines and should not be taken as binding. For these reasons we cannot give any guarantees as to the correctness of our recommendations in individual cases.

## INDUSTRY

- CONSTRUCTION
- CLEANING
- DISINFECTION
- AUTOMOTIVE
- FOOD INDUSTRY
- METAL INDUSTRY



Made in Switzerland



McProper Plus P, hand sprayer 360° / Traded unit 20 pcs	11984001	710716
McProper Plus E, hand sprayer 360° / Traded unit 20 pcs	11985001	710723
McProper P, hand sprayer / Traded unit 20 pcs	11815001	014012
McProper E, hand sprayer / Traded unit 20 pcs	11815002	014029
<b>TU selling price 20 pcs for McProper Plus P/E</b>		
<b>TU selling price 20 pcs for McProper P/E</b>		
<b>Accessories</b>		
Extension tube 16 cm, <b>minimum order qty. 5 pcs</b>	11815115	030159
Sprayhead McProper Plus P / 20 pcs per box	11985301	710754
Sprayhead McProper Plus E / 20 pcs per box	11985401	710761
Sprayhead McProper P/E / 20 pcs per box	11855201	014074

See also to foam unit **Foam-Matic 1.25 P/E, 75°** page 56

McProper Plus P Foam, hand foamer 360° / Traded unit 20 pcs	11984801	710730
McProper Plus E Foam, hand foamer 360° / Traded unit 20 pcs	11984901	710747
<b>TU selling price 20 pcs</b>		
<b>Accessories</b>		
Extension tube 16 cm, <b>minimum order qty. 5 pcs</b>	11815115	030159
Sprayhead McProper Plus P, Foam / 20 pcs per box	11855402	710921
Sprayhead McProper Plus E, Foam / 20 pcs per box	11855403	710938



Super McProper Plus / 360°

Extension tube 16 cm  
11815115

Super McProper Plus, hand sprayer 360° / Traded unit 10 pcs	11916301	130637
<b>TU selling price 10 pcs</b>		
<b>Accessories</b>		
Extension tube 16 cm, <b>minimum order qty. 5 pcs</b>	11815115	030159
Super McProper Plus sprayhead black/white / VE 20 Stk.	11918701	040752



Clean-Matic 1.25 P, compression sprayer 360°, adjustable nozzle (acids)	12031901	140391
Clean-Matic 1.25 E, compression sprayer 360°, adjustable nozzle (alkalis)	12032001	140407
<b>Accessories</b>		
Extension tube 26 cm bendable, fix	11919201-SB	110127
Extension tube 40 cm bendable, soft	11647702	030142
Extension tube 80 cm bendable, soft	11647703	040523
Fanjet nozzle TP 8002 brass	11927001	113692
<b>Gasket set Clean-Matic 1.25 E, No 3,4,5,6,7,8,9</b>	11614804	110349
<b>Gasket set Clean-Matic 1.25 E, No 3,4,5,6,7,8,9</b>	11614804	110349
<b>No Spare parts</b>		
10 Adjustable nozzle stainless steel (for Clean-Matic 1.25 P)	12162701	053219
10 Adjustable nozzle stainless steel (for Clean-Matic 1.25 E)	12162801	053226



Clean-Matic 1.25 P, compression sprayer 360°, Fanjet nozzle (acids)	11975301	130965
Clean-Matic 1.25 E, compression sprayer 360°, Fanjet nozzle (alkalis)	11975401	130972
<b>Accessories</b>		
Foam nozzle G3/8"	11688702	040530
Fanjet nozzle XR 8002 VS (yellow)	50142022	110332
<b>Gasket set Clean-Matic 1.25 P, No 3,4,5,6,7,8,9</b>	11614802-SB	700427
<b>Gasket set Clean-Matic 1.25 E, No 3,4,5,6,7,8,9</b>	11614804	110349
<b>No Spare parts</b>		
1 Fanjet nozzle TPU 8002 PP (grey)	11557002	110325
10 Fanjet nozzle plastic (for Clean-Matic 1.25 P)	12162501	053196
10 Fanjet nozzle plastic (for Clean-Matic 1.25 E)	12162601	053202

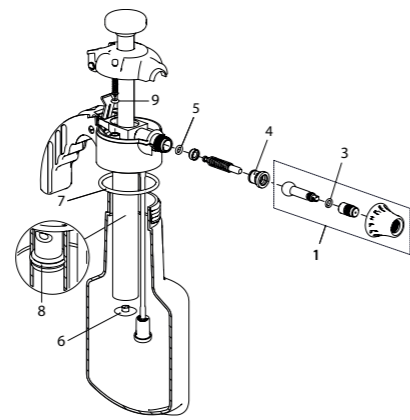


Spray-Matic 1.25 P / 360°

Spray-Matic 1.25 N / 360°

PP

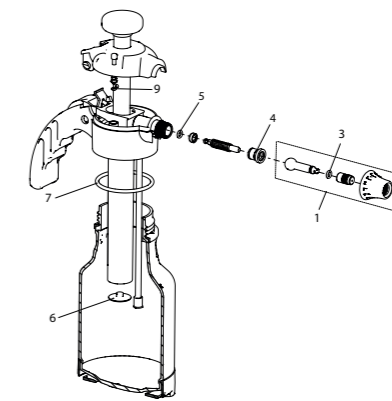
PA



Spray-Matic 1.25 P, compression sprayer 360° / TU 5 pcs (pump head made of PP)	11963201	130910
Spray-Matic 1.25 N, compression sprayer 360° / TU 5 pcs per box (pump head made of PA)	11963301	130927
<b>Accessories</b>		
Extension tube 26 cm bendable, fix	11919201-SB	110127
Extension tube 40 cm bendable, soft	11647702	030142
Extension tube 80 cm bendable, soft	11647703	040523
Fanjet nozzle TP 8002 brass	11927001	113692
<b>Gasket set Spray-Matic 1.25 P/N, No 3,4,5,6,7,8,9</b>	11614802-SB	700427
<b>No Spare parts</b>		
1 Adjustable nozzle brass (for Spray-Matic 1.25 P/N)	11614805	110097



Super Spray-Matic 1.0 N

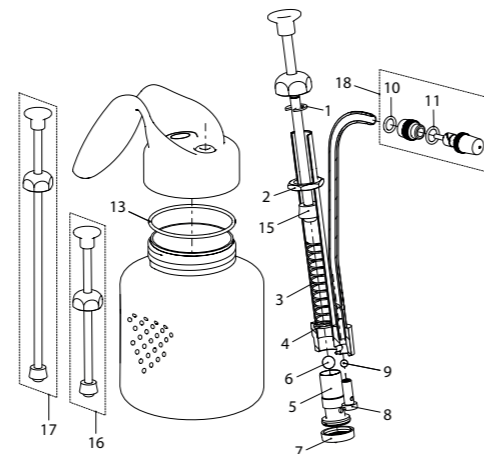
Ring set for  
Super Spray-Matic 1.0 N  
12164201

Super Spray-Matic 1.0 N, compression sprayer 360° (with special gasket)	12152101	052120
<b>Accessories</b>		
Ring set for Super Spray-Matic 1.0 N	12164201	053394
Extension tube 26 cm bendable, fix	11919201-SB	110127
Extension tube 40 cm bendable, soft	11647702	030142
Extension tube 80 cm bendable, soft	11647703	040523
Fanjet nozzle TP 8002 brass	11927001	113692
<b>Gasket set Super Spray-Matic 1.0 N, No 3,4,5,6,7,9</b>	12163101	053257
<b>No Spare parts</b>		
1 Adjustable nozzle brass nickel (for Super Spray-Matic 1.0 N)	11926701	113678



Fix 0.5

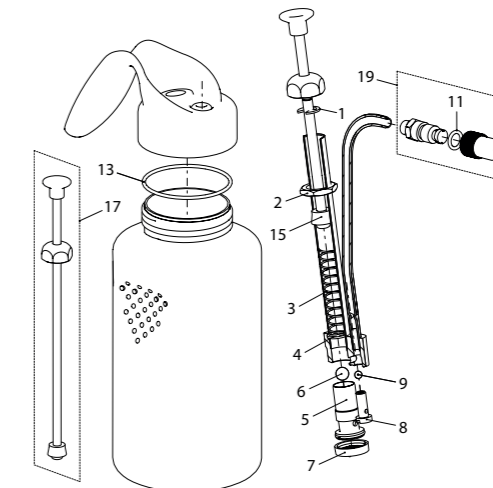
Maxi 1.0



Fix 0.5, hand sprayer with mist nozzle 0.8 mm, with viton gaskets	11811001	130330
Maxi 1.0, hand sprayer with mist nozzle 0.8 mm, with viton gaskets	11811101	130347
<b>Accessories (Pictures see page 82 ff)</b>		
Mist nozzle 0.5 mm for very fine spraying Fix 0.5 / Maxi 1.0	11814101	101019
Mist nozzle 1.2 mm for rough spraying Fix 0.5 / Maxi 1.0	11814201	101026
<b>Spare parts Fix, Maxi, Super Maxi</b>		
<b>No Repair set consisting of:</b>		
1 Protection disc 4x9.3x0.7	11814401	710518
2 Nut		
3 Pressure spring		
4 Disc		
5 Suction valve		
6 Valve ball 7/32" (5.56mm)		
7 Suction strainer		
8 Pressure valve		
9 Valve ball 1/8" (3.18mm)		
<b>No Gasket set Super Maxi (b) consisting of:</b>		
11 b O-ring 7.66x1.78	11873101	110158
13 a/b Gasket 57.5x53x2		
15 a/b Sleeve		
<b>Nr. Spare parts</b>		
17 Piston tube complete	11809501	710495
19 Adjustable nozzle 0.8 mm	11873001	110165



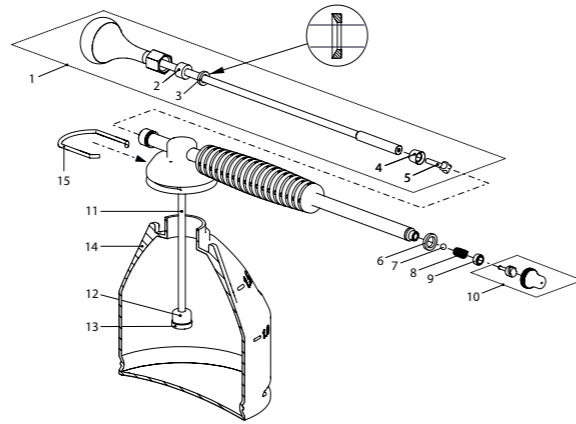
Super Maxi 1.0



Super Maxi 1.0, hand sprayer with regulation nozzle 0.8 mm, with special gaskets	11870401	130644
<b>Spare parts Fix, Maxi, Super Maxi</b>		
<b>No Repair set consisting of:</b>		
1 Protection disc 4x9.3x0.7	11814401	710518
2 Nut		
3 Pressure spring		
4 Disc		
5 Suction valve		
6 Valve ball 7/32" (5.56mm)		
7 Suction strainer		
8 Pressure valve		
9 Valve ball 1/8" (3.18mm)		
<b>No Gasket set Super Maxi (b) consisting of:</b>		
11 b O-ring 7.66x1.78	11873101	110158
13 a/b Gasket 57.5x53x2		
15 a/b Sleeve		
<b>Nr. Spare parts</b>		
17 Piston tube complete	11809501	710495
19 Adjustable nozzle 0.8 mm	11873001	110165



Rex Profi



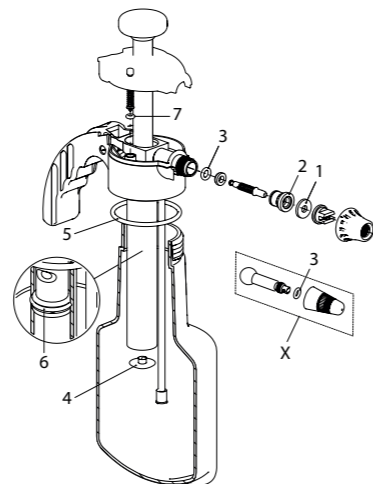
Rex Profi, piston sprayer with mist nozzle brass 1.2 mm	30407197	130064
<b>Accessories (Pictures see page 82 ff)</b>		
Adjustable nozzle 1.3 mm, M8x1	28502599-SB	100180
<b>No Repair set consisting of:</b>	11637901-SB	710259
2 Gland packing 12.5x6x8		
3 Insert ring		
4 Piston tube		
5 Piston screw		
6 Gasket 11x7.6x2		
7 Ball 1/8" (3.18 mm)		
8 Spring		
9 Thread ring M6x0.75		
11 Suction tube 4x1x145		
13 Suction filter		
<b>No Spare parts</b>		
1 Piston tube	11026801	710037
10 Mist nozzle with spiral insert (diameter opening 1.2 mm)	10370601-SB	100111
12 Suction connection, minimum order qty. 5 pcs	80011201	040769
14 Tank 1.7 l	11684202	040158
15 Ressort, minimum order qty. 5 pcs	11683901	110172



Food-Matic 1.25 P  
11989801



Food-Matic 1.25 P  
11990801



Food-Matic 1.25 P, compression sprayer, food save with fanjet nozzle	11989801	140124
Food-Matic 1.25 P, compression sprayer, food save with adjustable nozzle	11990801	140148
<b>Accessories</b>		
X Adjustable nozzle Food-Matic 1.25 P	11996701	710877
<b>Gasket set Food-Matic 1.25 P, No 1,2,3,4,5,6,7</b>	11991301	710945



TLK 35



Gasket fitted



Gasket included



TLK 35, without battery pack, without charger	12185901	056074
TLK 35, with battery pack 2.0 Ah, with charger SC 36	12193301	056678
TLK 35, with battery pack 4.0 Ah, with charger ASC 55	12195001	056708
<b>Suitable devices:</b>		
Astro 5, compression sprayer	11909201	121390
Rondo-Matic 5, compression sprayer	11622101	121260
Rondo-Matic 5 P, compression sprayer (acids)	11907501	121345
Rondo-Matic 5 E, compression sprayer (alkalis)	11802201	121321
Spray-Matic 5 P, compression sprayer, with PR 3 P1	11816201	011202
Spray-Matic 7 P, compression sprayer, with PR 3 P1	11816301	011219
Clean-Matic 5 P, compression sprayer with PR 3 P1 (acids)	11664901	121314
Clean-Matic 5 E, compression sprayer, with PR 3 E1 (alkalis)	11907401	121352
Foam-Matic 5 P, compression foamer (acids)	11900401	121338
Foam-Matic 5 E, compression foamer (alkalis)	11907601	121369

Gasket set see battery devices

TLK 35 battery devices, see the following pages:

e-Spray 7 P, page 54 / e-Clean 7 P, page 55 / e-Clean 7 E, page 55 / e-Foam 7 P, page 57 / e-Foam 7 E, page 57

### Compatible to TLK 35

**Spraying**

**Foaming**

**Rondo-Matic 5/5 P/5 E**

**Spray-Matic 5 P/7 P**

**Clean-Matic 5 P/E**

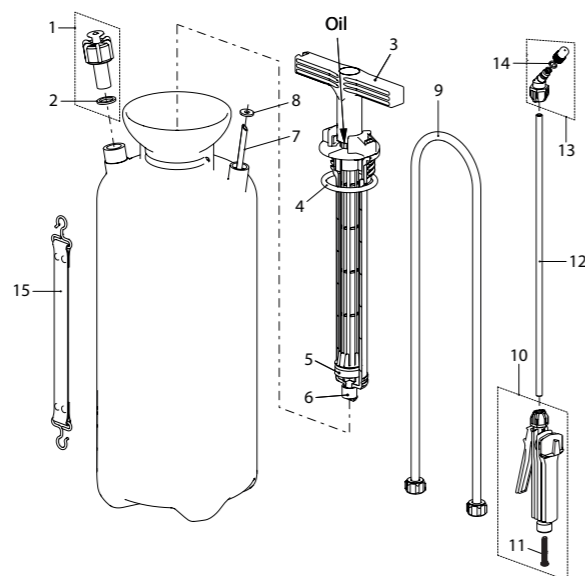
**Foam-Matic 5 P/E**

**Astro 5**

Further suitable sprayers under Garden, Page 21



Astro 5



No	Description	Art.no.	EAN-Code
<b>Astro 5, compression sprayer</b>			
<b>Accessories (Pictures see page 82 ff)</b>			
	TLK 35, with battery pack 2 Ah, with charger SC 36	12193301	056678
	Pressure control valve PR 3 P1 (adjustable), see page 89	12140001	038223
	Telescopic tube 0.45 - 0.9 m, plastic/aluminium	11659001-SB	030098
	Spray hood, oval, compression fitting	11871101	110066
	Spray hood ø12.5 cm, compression fitting	11864801	110042
<b>No</b>	<b>Gasket set consisting of:</b>	11914101	113975
2	Gasket 21x15.4x2		
4	O-Ring 50.16x5.34		
5	Sleeve ø32.8 x 8 mm		
6	Gasket 16x13x12		
8	Gasket 15x5.5x2		
11	Filter		
14	O-ring 7.66x1.78		
<b>No</b>	<b>Spare parts</b>		
1	Safety and pressure relief valve 3 bar	11669610	110424
3	Pump black PP Viton	11488402	400327
7	Suction tube L = 435 mm, <b>minimum order qty. 5 pcs</b>	10450502	040844
9	Hose 1.2 m, G1/2"-G1/2"	11637701	400617
10	Trigger G1/2"	11488703	100791
12	Spray tube 40 cm straight, plastic, <b>minimum order qty. 5 pcs</b>	11631101	040813
13	Adjustable nozzle 1.3 mm, plastic	11323002	100883
15	Carrying belt	10453601	100739



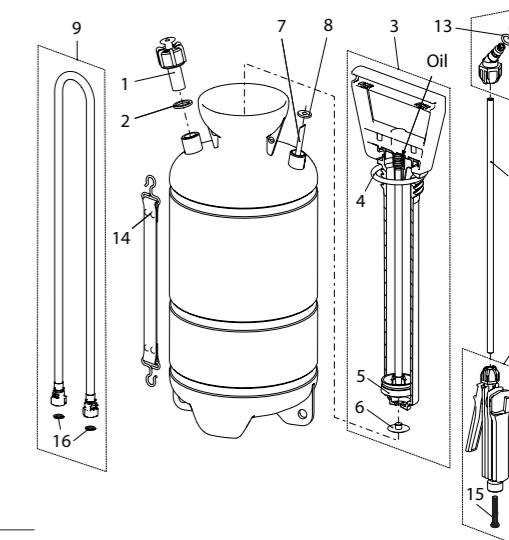
Rondo-Matic 5



Rondo-Matic 5 P

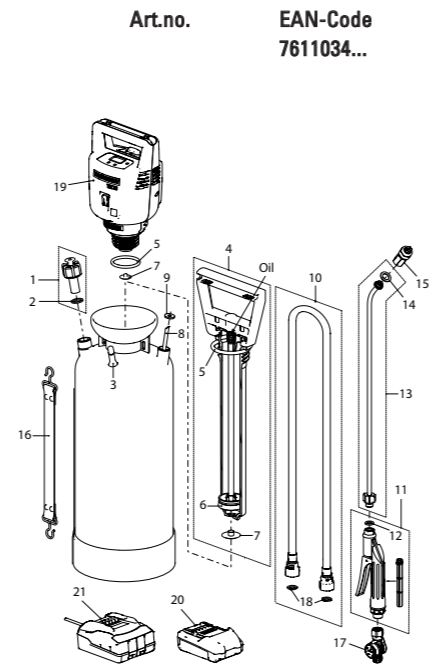


Rondo-Matic 5 E



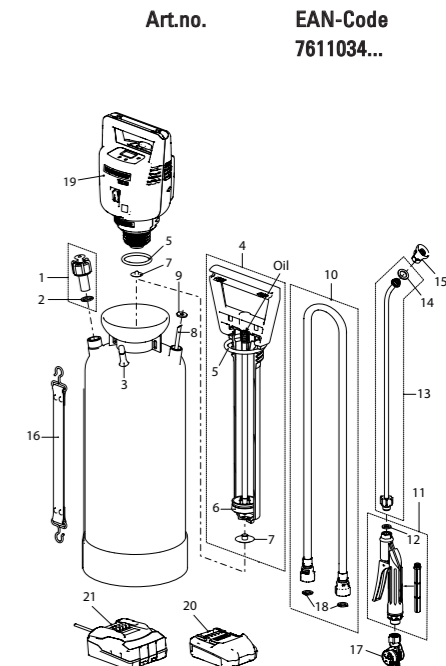
No	Description	Art.no.	EAN-Code
<b>Rondo-Matic 5, compression sprayer</b>			
<b>Accessories (Pictures see page 82 ff)</b>			
	TLK 35, with battery pack 2 Ah, with charger SC 36	12193301	056678
	Pressure control valve PR 3 P1 (adjustable) for version P, see page 89	12140001	038223
	Pressure control valve PR 3 E1 (adjustable) for version E, see page 89	12098901-SB	011929
	Battery pump 7.4 V, 2.6 Ah	12092101	010953
	Two hand grip	11887301	040578
	Spray tube 1 m, straight, stainless steel	11310412	110394
	Foaming equipment (Spray tube, stainless steel + foaming nozzle)	11841101	110400
<b>No</b>	<b>Gasket set Rondo-Matic 5 / 5 P consisting of:</b>	11490504	400013
<b>No</b>	<b>Gasket set Rondo-Matic 5 E consisting of:</b>	11808501	110417
2	Gasket 21x15.4x2	5 / 5P / 5E	
4	O-ring 50.16x5.34	5 / 5P / 5E	
5	Sleeve ø38.85 x 7.9 mm	5 / 5P / 5E	
6	Pump gasket ø24 mm	5 / 5P / 5E	
8	Gasket 15x5.5x2	5 / 5P / 5E	
13	O-ring 7.66x1.78	5 / 5P / 5E	
15	Filter	5 / 5P / 5E	
16	Gasket 18.5x12x2	5P / 5E	
<b>No</b>	<b>Spare parts</b>		
1	Safety and pressure relief valve 3 bar	5 / 5P	11669610 110424
1	Safety and pressure relief valve 3 bar	5E	11669609 110431
3	Pump black 1.4301 PP Viton	5 / 5P	11625301-SB 710150
3	Pump black 1.4301 PP EPDM	5E	11906501 110448
5	Guide with sleeve; 6 pcs. per pack	5 / 5P / 5E	10853203 040066
5	Sleeve; 6 pcs per pack	5 / 5P / 5E	11642701 040059
7	Suction tube L = 365 mm, <b>minimum order qty. 5 pcs</b>	5 / 5P / 5E	10450505 110462
9	Hose 1.2 m, G1/2"-G1/2"	5	11902001 400174
9	Hose 1.5 m, G1/2"-G1/2", oil resistant	5P	10834210-SB 710402
9	Hose 1.5 m, G1/2"-G1/2"	5E	11908301 110486
10	Trigger G1/2"	5 / 5P	11488703 100791
10	Trigger G1/2"	5E	11488705 110493
11	Spray tube 40 cm straight, plastic	5	11497401 100760
11	Spray tube 40 cm straight, stainless steel	5P / 5E	11310411 110509
12	Adjustable nozzle 1.3 mm, plastic	5	11323002 100883
12	Adjustable nozzle 1.3 mm, plastic-stainless steel	5P	11908801 110516
12	Adjustable nozzle 1.3 mm, plastic-stainless steel	5E	11908901 110523
14	Carrying belt	5 / 5P / 5E	10453601 100739

Foaming equipment  
11841101



Spray-Matic 5 P, compression sprayer, with PR 3 P1	11816201	011202
e-Spray 7 P, with battery, with charger	12186001	056081
e-Spray 7 P, without battery, without charger	12195501	056715
Spray-Matic 7 P, compression sprayer, with PR 3 P1	11816301	011219
<b>Accessories (Pictures see page 82 ff)</b>		
TLK 35, with battery pack 2 Ah, with charger SC 36	12193301	056678
Two hand grip	11887301	040578
Telescopic tube 1 - 2 m, anodised aluminium, thread G1/4"e on both sides	10985201	100456
Extension tube straight 1 m, brass, G1/4"-G1/4"e	10960601	100463
Closing cap made of plastic (inst. of handpump)	11629502	100869
Adjustable nozzle 1.3 mm, brass with G1/4"i thread	28502598-SB	100173
Duro mist nozzle 1.65 mm, brass - for white washing and special applications	28502325-SB	100364
Floodjet nozzle 1.6 mm (blue)	10501803-SB	100241
Fanjet nozzle G1/4"i, XR 8001 VS (orange)	11612801-SB	100289
Spiral hose black 7.5 m, G1/2"i - G1/2"i	11935701	028583
<b>No Gasket set consisting of:</b>	<b>For model</b>	
<b>No Spare parts</b>		
1 Safety and pressure relief valve 4 bar	5P/7P/e7P	11617902-SB 710181
3 Compressed air valve	5P/7P/e7P	50137531 500157
4 Pump black 1.4305 PP Viton (ETFE)	5P/7P/e7P	12103401 012544
6 Spare part kit guide with sleeve	5P/7P/e7P	11926401 113623
6 Sleeve; 6 pcs per pack	5P/7P/e7P	11642701 040059
8 Suction tube 5 P, L = 435 mm, <b>minimum order qty. 5 pcs</b>	5P/e7P	10450502 040844
8 Suction tube 7 P, L = 540 mm, <b>minimum order qty. 5 pcs</b>	7P	10450503 110554
10 Hose 1.5 m, G1/2"-G1/2", oil resistant	5P/7P/e7P	10834210-SB 710402
11 Trigger Profi G1/2"	5P/7P/e7P	10966105-SB 100678
<i>Gasket set for trigger</i>	5P/7P/e7P	11664910 040851
12 Gasket 12.2x7x3; 12 pcs per pack	5P/7P/e7P	11642404 040042
13 Spray tube 50 cm, curved, brass	5P/7P/e7P	11370704 700311
14 Gasket 17x12.7x2; 10 pcs per pack	5P/7P/e7P	11642403 040035
15 Fanjet nozzle G1/4"i, TP 8002 brass	5P/7P/e7P	11612810 110561
16 Carrying belt	5P/7P/e7P	10453601 100739
17 Pressure control valve PR 3 P1	5P/7P/e7P	12140001 038223
18 Gasket 18.5x12x2; 10 pcs per pack	5P/7P/e7P	12177701 055084
19 TLK 35	e7P	12185901 056074
20 Battery pack 18 V Li-Power / 2.0 Ah *	e7P	12070301 150871
21 Charger SC 36, 220-240 V, EU - plug type C *	e7P	12074501 150949

\* Further information about the battery packs (2.0 - 10.0 Ah) and chargers, see page 83 / 84



Clean-Matic 5 P, compression sprayer with PR 3 P1 (acids)	11664901	121314
e-Clean 7 P, compression sprayer, with battery pack, with charger (acides)	12198001	056760
e-Clean 7 P, compression sprayer, without battery pack, without charger (acides)	12198501	056777
Clean-Matic 5 E, compression sprayer, with PR 3 E1 (alkalis)	11907401	121352
e-Clean 7 E, compression sprayer, with battery pack, with charger (alkalis)	12199001	056784
e-Clean 7 E, compression sprayer, without battery pack, without charger (alkalis)	12199501	056791
<b>Accessories (Pictures see page 82 ff)</b>		
TLK 35, with battery pack 2 Ah, with charger SC 36	12193301	056678
Two hand grip	11887301	040578
Closing cap made of plastic (inst. of hand pump)	11629502	100869
Adjustable nozzle 1.3 mm, brass nickel with G1/4"i thread	11926801	113685
Foam nozzle G1/4"	11688701	040561
Spray tube 1 m, stainless steel, G1/4"e-G1/4"e	11669802	110578
Fanjet nozzle XR 8002 VS (yellow)	50142022	110332
<b>No Gasket set Clean-Matic 5 P No 5/2/6/9/12/14/18</b>	10399003-SB	700809
<b>No Gasket set Clean-Matic 5 E No 5/2/6/9/12/14/18</b>	11909801	110585
<b>No Spare parts</b>	<b>For model</b>	
1 Safety and pressure relief valve 4 bar	5P/e7P	11617902-SB 710181
1 Safety and pressure relief valve 4 bar	5E/e7E	11669611 110592
3 Compressed air valve	5P/e7P/5E/e7P	50137532 040653
4 Pump black 1.4301 PP Viton	5P/e7P	11625301-SB 710150
4 Pump black 1.4301 PP EPDM	5E/e7E	11906501 110448
6 Guide with sleeve; 6 pcs per pack	5P/e7P/5E/e7p	10853203 040066
6 Sleeve; 6 pcs per pack	5P/e7P/5E/e7p	11642701 040059
8 Suction tube L = 435 mm, <b>minimum order qty. 5 pcs</b>	5P/e7P/5E/e7p	10450502 040844
10 Hose 1.5 m, G1/2"-G1/2", oil resistant	5P/e7P	10834210-SB 710402
10 Hose 1.5 m, G1/2"-G1/2"	5E/e7E	11908301 110486
11 Trigger Profi G1/2"	5P/e7P	10966106 110608
<i>Gasket set for trigger</i>	5P/e7P	11664910 040851
11 Trigger Profi G1/2"	5E/e7E	10966107 110615
<i>Gasket set for trigger</i>	5E/e7E	11973801 400853
13 Spray tube 50 cm curved, stainless steel	5P/e7P	11669801 110622
13 Spray tube 50 cm curved, stainless steel	5E/e7E	11669803 110639
15 Fanjet nozzle G1/4"i, TPU 8002 PP, Viton (grey)	5P/E7p	11932703 400198
15 Fanjet nozzle G1/4"i, TPU 8002 PP, EPDM (grey)	5E/e7E	11947503 400181
16 Carrying belt	5P / 5E	10453601 100739
17 Pressure control valve PR 3 P1	5P	12140001 038223
17 Pressure control valve PR 3 E1	5E	12098901-SB 011929
19 TLK 35	e7P/e7E	12185901 056074
20 Battery pack 18 V Li-Power / 2.0 Ah	e7P/e7E	12070301 150871
21 Charger SC 36, 220-240 V, EU - plug type C	e7P/e7E	12074501 150949

\* Further information about the battery packs (2.0 - 10.0 Ah) and chargers, see page 83 / 84





Vario-Matic 1.25 PE | Vario-Matic 2.0 PE



Vario-Matic 1.25 PE, foam gun (acids and alkalis)		11975001	020211
Vario-Matic 2.0 PE, foam gun (acids and alkalis)		12178001	055114
<b>Accessories</b>	<b>For model</b>		
Printed tank 1.25 l (blue)	1.25 l	11968502	720944
Closing cap 1.25 l	1.25 l	11980101	710624
Closing cap 2.0 l	2.0 l	12133401	024639

No	Spare parts	For model		
1	Printed tank 1.25 l (red)	1.25 l	11968501	710693
1	Tank 2.0 l (red)	2.0 l	12178501	055169
2	Fan-shaped foam nozzle	1.25 l / 2.0 l	11981401	710631
3	Deflector	1.25 l / 2.0 l	11967501	710709
4	Dispensing head 1.25 l	1.25 l	11981501	710648
4	Dispensing head 2.0 l	2.0 l	12178301	055145
5	Suction hose	1.25 l / 2.0 l	11981601	710655
6	Hand valve	1.25 l / 2.0 l	11981701	710662
7	Spray nozzle	1.25 l / 2.0 l	11980201	710679
8	Additional quick connector (Gardena compatible)	1.25 l / 2.0 l	11973901	710686
9	Quick coupling G3/4"	1.25 l / 2.0 l	12033501	031804
10	Rubber protection ring	1.25 l / 2.0 l	12046901	150451



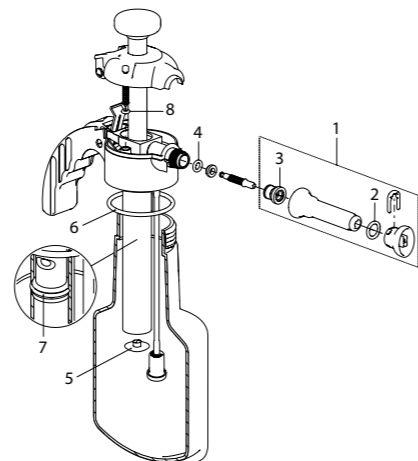
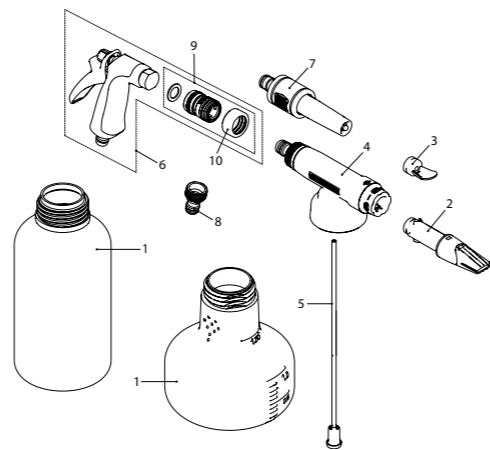
Foam-Matic 1.25 P / 75° | Foam-Matic 1.25 E / 75°



See also to **Clean-Matic 1.25 P/E, 360°** with optional foam nozzle, page 46

Foam-Matic 1.25 P, compression foamer 75° (acids)		11976501	130989
Foam-Matic 1.25 E, compression foamer 75° (alkalis)		11976601	130996
<b>Accessories</b>			
Foam nozzle 45 cm bendable, fix		12060401	150444
<b>Gasket set Foam-Matic 1.25 P, No 2,3,4,5,6,7,8</b>		11614802-SB	700427
<b>Gasket set Foam-Matic 1.25 E, No 2,3,4,5,6,7,8</b>		11614804	110349

No	Spare parts		
1	Foam tube Foam-Matic 1.25 P	11926201	113708
1	Foam tube Foam-Matic 1.25 E	11927101	113715



Foam nozzle 45 cm bendable, fix



<b>Foam-Matic 5 P</b> max. 4 bar VITON pH 1-7	<b>e-Foam 7 P</b> max. 3.5 bar 12.4Ah 18V Electronic VITON pH 1-7	<b>Foam-Matic 5 E</b> max. 4 bar EPDM pH 7-14	<b>e-Foam 7 E</b> max. 3.5 bar 12.4Ah 18V Electronic EPDM pH 7-14
--	--	--	--



See also to foam unit **Foam-Matic 1.25 P/E, 75°** page 56

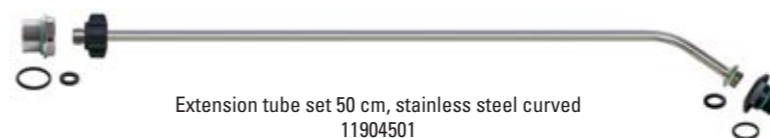
Foam-Matic 5 P, compression foamer (acids)	11900401	121338
e-Foam-Matic 7 P, compression foamer, with battery pack, with charger (acids)	12196001	056722
e-Foam-Matic 7 P, compression foamer, without battery pack, without charger (acids)	12196501	056739
Foam-Matic 5 E, compression foamer (alkalis)	11907601	121369
e-Foam 7 E, compression foamer, with battery pack, with charger (alkalis)	12197001	056746
e-Foam 7 E, compression foamer, without battery pack, without charger (alkalis)	12197501	056753

<b>Accessories</b>		
TLK 35, with battery pack 4 Ah, with charger ASC 55	12195001	056708
Extension tube set 50 cm, stainless steel curved	11904501	113142
Foam nozzle 45 cm bendable, fix	12060401	150444

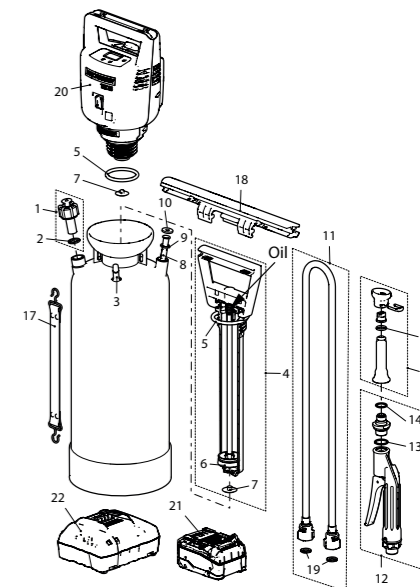
<b>No</b>	<b>Gasket set Foam-Matic 5 P 5 P / e7P no 2/5/6/7/9/10/13/14/16/19</b>	11905101	040660
<b>No</b>	<b>Gasket set Foam-Matic 5 P 5 P / e7P no 2/5/6/7/9/10/13/14/16/19</b>	11911801	113166

No	Spare parts	For model		
1	Safety and pressure relief valve 4 bar	5P/e7P	11617902-SB	710181
1	Safety and pressure relief valve 4 bar	5E/e7E	11669611	110592
3	Compressed air valve	5P/5E/e7P/e7E	50137532	040653
4	Pump black 1.4301 PP Viton	5E	11625301-SB	710150
4	Pump black 1.4301 PP EPDM	5E	11906501	110448
6	Guide with sleeve; 6 pcs. per pack	5P/5E	10853203	040066
6	Sleeve; 6 pcs per pack	5P/5E	11642701	040059
8	Suction tube L = 435 mm, <b>minimum order qty. 5 pcs</b>	5P/5E/e7P/e7E	11900201	026862
11	Hose 1.5 m, G1/2"-G1/2", oil resistant	5P/e7P	10834210-SB	710402
11	Hose 1.5 m, G1/2"-G1/2"	5E/e7E	11908301	110486
12	Trigger Profi G1/2"	5P/e7P	11907101	040639
	<i>Gasket set for trigger</i>	5P/e7P	11664910	040851
12	Trigger Profi G1/2"	5E/e7E	11907102	040646
	<i>Gasket set for trigger</i>	5E/e7E	11973801	400853
15	Foam tube	5P/e7P	11927401	113746
15	Foam tube	5E/e7E	11928001	113753
17	Carrying belt	5P/5E/e7P/e7E	10453601	100739
18	Two hand grip	5P/5E	11887301	040578
20	TLK 35	e7P/e7E	12185901	056074
21	Battery pack 18 V Li-Power / 4.0 Ah	e7P/e7E	12071401	150895
22	Quick charger ASC 55, 220-240 V, EU - plug type C *	e7P/e7E	12070101	150864

\* Further information about the battery packs (2.0 - 10.0 Ah) and chargers, see page 83 / 84



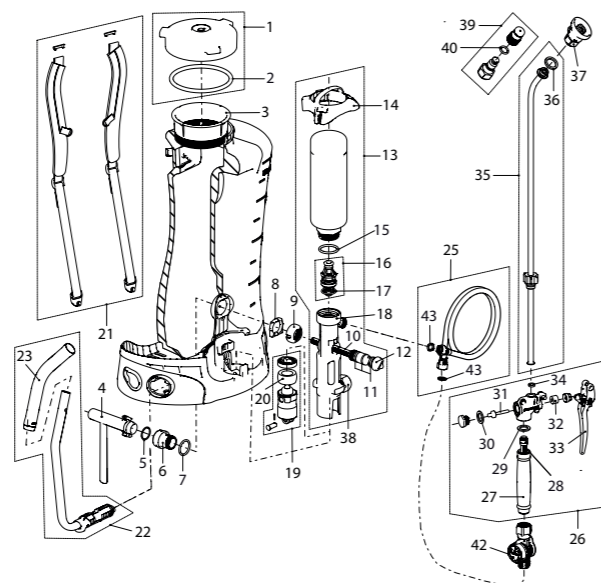
Extension tube set 50 cm, stainless steel curved  
11904501



Foam nozzle 45 cm bendable, fix  
12060401



Spray-Matic 10 B

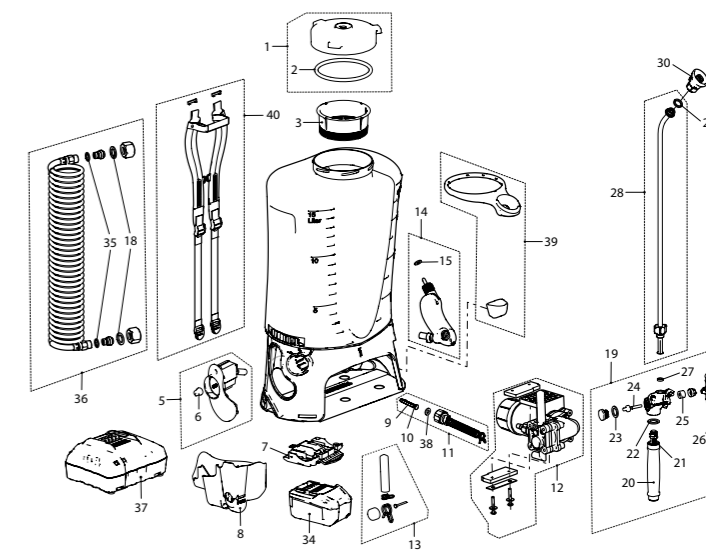


Spray-Matic 10 B, backpack sprayer (10 litres) Viton, fanjet nozzle, with PR 3 P1		12052601	010380
<b>Accessories (Pictures see page 82 ff)</b>			
Extension tube straight 1 m, brass, G1/4"-G1/4"		10960601	100463
Waist and chest strap set		12052501	150413
Fanjet nozzle G1/4", TP 8002 brass		11612810	110561
Double ended connection G1/4"-G1/4" (to screw the nozzle directly onto the trigger)		80400101	700564
<b>No Gasket set pump and tank consisting of: *</b>			
2	Gasket 108x7		150390
5	O-ring 22x2		
8	O-ring 26x3		
10	Filter		
13	O-ring 15x3		
15	O-ring 31.34x3.53		
17	O-ring 23.47x2.62		
<b>Gasket set spraying equipment, No 28,29,30,31,32,34,36,40,43 *</b>		12058001-SB	150260
<b>No Spare parts</b>			
1	Lid ø137 mm	10397202-SB	151007
3	Filter screen	77009699-SB	151038
4	Suction bend with o-ring (Pos.5) *	12054101-SB	150208
6	Nipple	12001301	150161
7	Anti-twist device	12001401	150154
9	Nut ø36x14 mm	12001201	150147
12	Central bolt ø27x71.9 mm	12053701	150383
13	Pump (without piston) *	12054601-SB	150215
14	Spray tube holder	12001601	150123
16	Valve insert	11388502	110691
18	Valve casing *	12057401-SB	150222
19	Piston	11051202	110707
20	Rubber piston ring ø37 mm	26200302	110714
21	Carrying belt, pair *	12054901-SB	150239
22	Pump lever curved with quick coupling	12054401	150246
23	Handle for pump lever	12061401	150512
25	Hose 1.3 m, G1/2"-G1/2", oil resistant	11956301	400501
26	Trigger brass LB, G1/2", 10 bar	12047501-SB	150048
27	Plastic handle G1/2"	10392201-SB	100944
28	Filter	10828301	113067
33	Lever for trigger brass LB	12046501	150116
34	Gasket 12.2x7x3; 12 pcs per pack	11642404	040042
35	Spray tube 60 cm, curved, brass	12007401	720074
36	Gasket 17x12.7x2; 10 pcs per pack	11642403	040035
37	Fanjet nozzle G1/4", XR 8001 VS (orange) (Spray-Matic 10 B)	11612801-SB	100289
38	Grease piston, <b>minimum order qty. 5 pcs</b>	10865201	040936
39	Adjustable nozzle 1.3 mm, brass (Flox 10 PD1 / Iris 15 PD1)	28502598-SB	100173
42	Pressure control valve PR 3 P1	12140001	038223
43	Gasket 18.5x12x2; 10 pcs per pack	12177701	055084

\* Contains additional parts to the previous versions before 2019 (backward compatibility)



REC 15 PC1

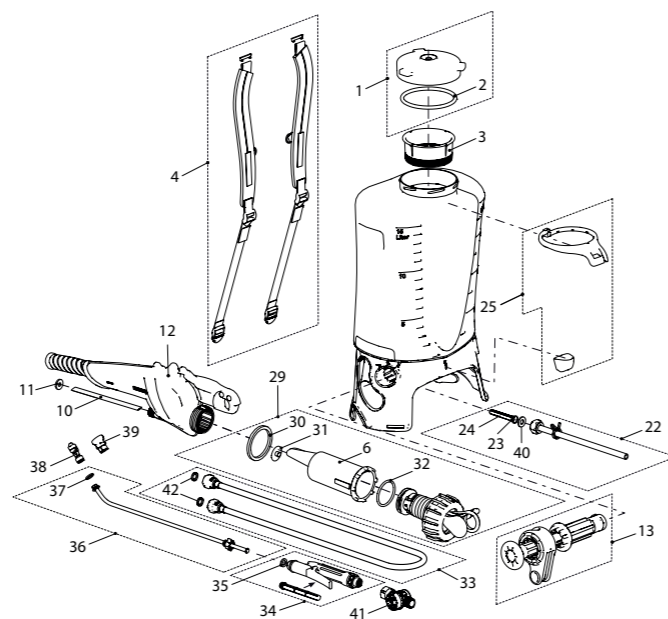


REC 15 PC1, backpack sprayer (15 litres) iwth battery pack, with charger EU		12072001	220208
REC 15 PC2, backpack sprayer (15 litres) without battery pack, without charger		12101501	012315
<b>Accessories (Pictures see page 82 ff)</b>			
AS 1200 GR1, battery spray blower		12184501	055770
Telescopic tube 0.5 - 1 m, anodised aluminium, thread G1/4"e on both sides		10985204	030104
Telescopic tube 1 - 2 m, anodised aluminium, thread G1/4"e on both sides		10985201	100456
Extension tube straight 1 m, brass, G1/4"-G1/4"		10960601	100463
Fanjet nozzle TP 8002 brass		11612810	110561
Duro mist nozzle 1.65 mm, brass - for white washing and special applications		28502325-SB	100364
Double ended connection G1/4"-G1/4" (to screw the nozzle directly onto the trigger)		80400101	700564
Stainless steel hand-cart H2		12022601	720623
<b>No Gasket set consisting of:</b>		11955001	400518
2	Gasket 108x7		
9	Filter		
10	Gasket 15x7x1.5		
15	Gasket 15x5.5x2		
18	Gasket 17x11x1.5		
27	Gasket 12.2x7x3		
29	Gasket 17x12.7x2		
35	O-ring 10x2		
38	Gasket 16x8x2		
<b>Gasket set spraying equipment, No 22,23,24,25,26,27,29</b>		12058001-SB	150260
<b>Nr. Spare parts</b>			
1	Lid ø137 mm	10397202-SB	151007
3	Filter screen	77009699-SB	151038
5	Electronic	12076201	150970
6	Potentiometer knob, <b>minimum order qty. 5 pcs</b>	11922701	720838
7	Battery fixing plate	12075601	150994
8	Motor cover	11948701	200101
11	Suction tube	12078501	151380
12	Pump and Motor	11949702	210445
13	Diaphragm and pulsation damper set	11998301	710884
14	Air vessel	11933302	210346
18	Gasket 17x11x1.5; 10 pcs per pack	11927301	113739
19	Trigger brass LB, G1/2", 10 bar	12047501-SB	150048
20	Plastic handle G1/2"	10392201-SB	100944
22	Gasket 17x12.7x2; 10 pcs per pack	11642403	040035
26	Lever for trigger brass LB	12046501	150116
27	Gasket 12.2x7x3; 12 pcs per pack	11642404	040042
28	Spray tube 60 cm, curved, brass	12007401	720074
30	Fanjet nozzle G1/4", XR 8001 VS (orange)	11612801-SB	100289
34	Battery pack 18 V Li-Power / 4.0 Ah *	12071401	150895
36	Spiral hose, black 7.5 m, G1/2"i - G1/2"i	11935701	028583
37	Quick charger ASC 55, 220-240 V, EU - plug type C *	12070101	150864
39	Spray tube holder	12178401	055152
40	Carrying belt (pair) with carrying strap	12177801	055091

\* Further information about the battery packs (2.0 - 10.0 Ah) and chargers, see page 83 / 84

Incl. special nozzle NF 125  
and fanjet nozzle TPU 8002 PP

RPD 15 PB2

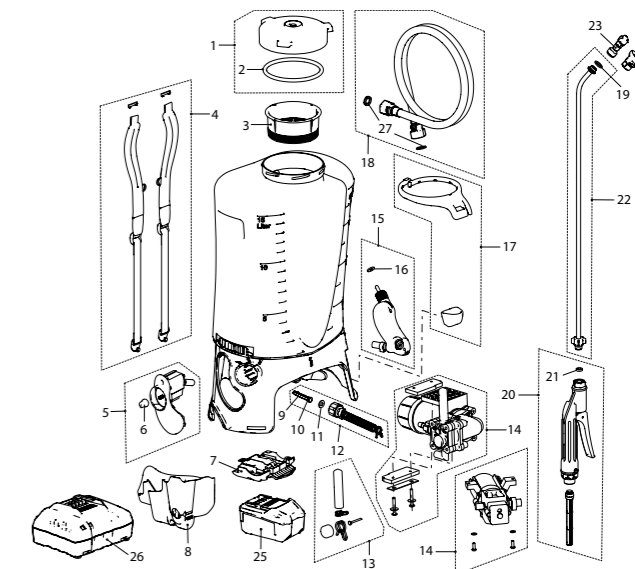


RPD 15 PB2, backpack sprayer (15 litres), with PR 3 P1	11969501	010199
<b>Accessories (Pictures see page 82 ff)</b>		
Spray tube 1 m, stainless steel, G1/4"e-G1/4"e	11669802	110578
<b>No Gasket set consisting of:</b>	11954901	400525
2 Gasket 108x7		
6 Cylinder		
10 Suction tube L = 130 mm		
11 Gasket 15x5.5x2		
23 Gasket 15x7x1.5		
24 Filter		
30 Gasket 56x48x4		
31 Pump gasket ø24 mm		
32 O-ring 36.10x3.53		
35 Gasket 12.2x7x3		
40 Gasket 16x8x2		
42 Gasket 18.5x12x2		
<b>No Spare parts</b>		
1 Lid ø137 mm	10397202-SB	151007
3 Filter screen	77009699-SB	151038
4 Carrying belt (pair)	11923401	113722
12 Pump lever	11920201	113913
13 Pump lever joint	11939401	113920
22 Suction tube-set	11939501	113944
25 Spray tube holder	11934001	113951
29 Pump (without pump lever)	11955101	400532
33 Hose 1.3 m, G1/2"-G1/2", oil resistant	11956301	400501
34 Trigger Profi G1/2"	10966106	110608
<i>Gasket set for trigger</i>	11664910	040851
35 Gasket 12.2x7x3; 12 pcs per pack	11642404	040042
36 Spray tube 50 cm curved, stainless steel	11669801	110622
37 Gasket 17x11x1.5; 10 pcs per pack	11927301	113739
38 Special nozzle NF 125, G1/4"i	12094201	011424
39 Fanjet nozzle G1/4"i, TPU 8002 PP, Viton (grey)	11932703	400198
41 Pressure control valve PR 3 P1	12140001	038223
42 Gasket 18.5x12x2; 10 pcs per pack	12177701	055084

Incl. special nozzle NF 125  
and fanjet nozzle TPU 8002 PP

REB 15 DC1

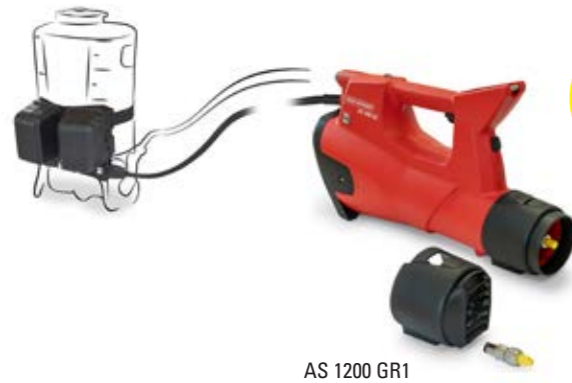
REC 15 DC1



REB 15 DC1, backpack sprayer (15 litres) with battery pack, with charger EU	12095001	011585
REB 15 DC1 TelRo, backpack sprayer with TelRo *	12197601	057200
REC 15 DC1, backpack sprayer (15 litres) with battery pack, with charger EU	12094601	011516
REC 15 DC1, TelRo, backpack sprayer with TelRo *	12198101	057224
<b>Accessories (Pictures see page 82 ff)</b>		
AS 1200 GR1, battery spray blower (incl. battery carrying unit)	12184501	055770
Spray tube 1 m, stainless steel, G1/4"e-G1/4"e	11669802	110578
Foam nozzle G1/4"i	11688701	040561
Trigger Profi, TelRo *	12197401	057194
Nozzle holder, TelRo *	12197701	057217
<b>No Gasket set, No 2,9,10,11,16,21,27</b>	11955001	400518
<b>No Spare parts</b>		
	<b>For model</b>	
1 Lid ø137 mm	REB / REC	10397202-SB 151007
3 Filter screen	REB / REC	77009699-SB 151038
4 Carrying belt (pair)	REB / REC	11923401 113722
5 Electronic	REB	12075901 151083
5 Electronic	REC	12076201 150970
6 Potentiometer knob, minimum order qty. 5 pcs	REB / REC	11922701 720838
7 Battery fixing plate	REB / REC	12075501 151106
8 Motor cover complete	REC	11948701 200101
12 Suction tube	REC	12078501 151380
13 Diaphragm and pulsation damper set	REC	11998301 710884
14 Pump and motor	REB	12017801 720463
14 Pump and motor	REC	12099102 011943
15 Air vessel	REB	12071501 151113
15 Air vessel	REC	11933302 210346
17 Spray tube holder	REB / REC	11934001 113951
18 Hose 1.3 m, G1/2"-G1/2", oil resistant	REB / REC	11956301 400501
19 Gasket 17x11x1.5; 10 pcs per pack	REB / REC	11927301 113739
20 Trigger Profi G1/2"	REB / REC	10966106 110608
<i>Gasket set for trigger</i>	REB / REC	11664910 040851
21 Gasket 12.2x7x3; 12 pcs per pack	REB / REC	11642404 040042
22 Spray tube 50 cm curved, stainless steel	REB / REC	11669801 110622
23 Special nozzle NF 125, G1/4"i	REB / REC	12094201 011424
24 Fanjet nozzle G1/4"i, TPU 8002 PP, Viton (grey)	REB / REC	11932703 400198
25 Battery pack 18 V Li-Power / 2.0 Ah **	REB	12070301 150871
25 Battery pack 18 V Li-Power / 4.0 Ah **	REC	12071401 150895
26 Charger SC 36, 220-240 V, EU - plug type C **	REB	12074501 150949
26 Quick charger ASC 55, 220-240 V, EU - plug type C **	REC	12070101 150864
27 Gasket 18.5x12x2; 10 pcs per pack	REB / REC	12177701 055084

\* Further information on TelRo, see page 65

\*\* Further information about the battery packs (2.0 - 10.0 Ah) and chargers, see page 83 / 84



Blower attachment set  
12164401



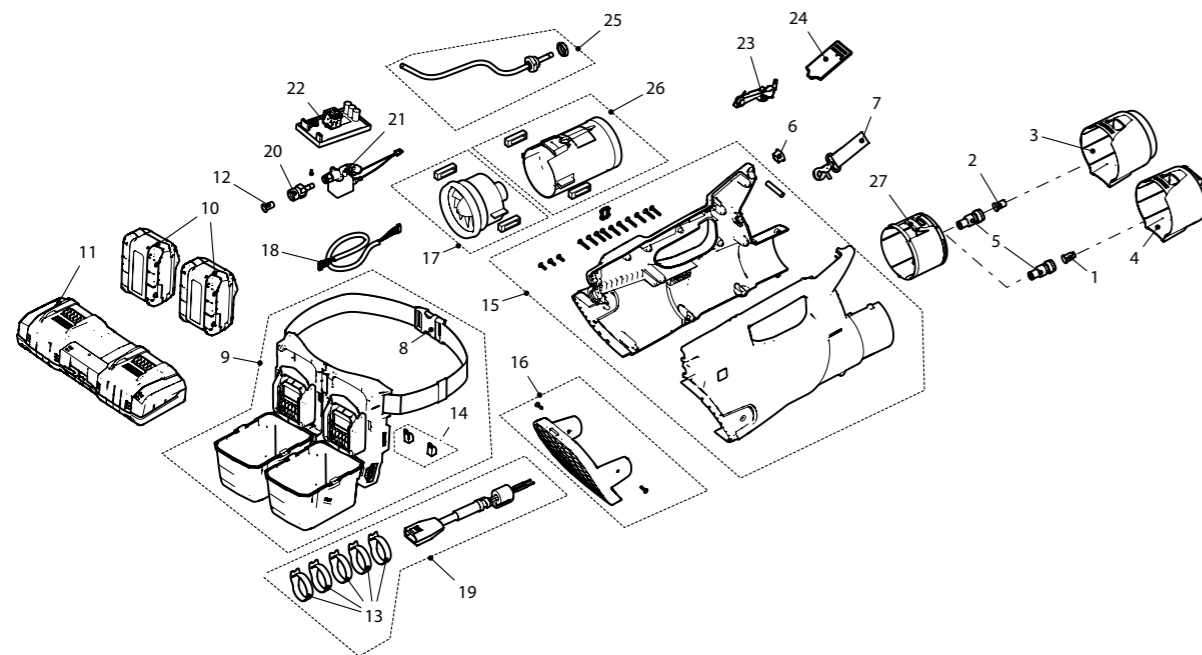
AS 1200 GR1, battery spray blower with battery pack, with charger EU *	12184501	055770
AS 1200 GR2, battery spray blower without battery pack, without charger *	12185601	055794

Accessories		
Blower attachment set	12164401	053417
Shoulder strap for AS 1200, in combination with A 50 AC1 / C 50 AC1 / A 75 AC1 / A 130 AC1 / BM 1035 AC1	12124101	023069
Waist and chest strap set	12052501	150413
Spiral hose, black 7.5 m, G1/2"i - G1/2"i	11935701	028583
Special nozzle NF 125 with quick coupling	12169801	054063
Special nozzle MV 850	50142056	010731
Stainless steel hand-cart H2	12022601	720623

No	Spare parts		
1	Anti-drift fanjet nozzle AIXR 11002 VP Viton (yellow)	50142054	720098
2	Anti-drift hollow cone nozzle AITXA 8002 VK (yellow)	12049701	031903
3	Round jet nozzle	12191801	056500
4	Fanjet attachment	12192101	056517
6/13	Maintenance set	12050801	500031
7	Load bearing belt	12042301	031880
8	Fastening strap for the battery carrying unit	12125001	015125
9	Battery carrying unit with metal clip	12124501	015118
10	Battery pack 18 V LiHD / 10.0 Ah	12100701	012247
11	Double quick charger ASC 145 DUO, 220-240 V, EU - plug type F	12118501	014357
12	Filter 8079-PP-100, minimum order qty. 5 pcs	50142048	014746
14	Metal clip set for AS 1200 CAS	12164101	053387

Detailed spare parts list see [www.birchmeier.com](http://www.birchmeier.com)

\* Only in combination with REC 15 PC1 / REB 15 DC1 / REC 15 DC1 / C 50 DC1  
Combination with garden units, see page 32



## AS 1200 for mobile and stationary battery spray applications

### Portable battery backpack spray systems



**CAS** REC 15 PC1  
Tank volume: 15 litres  
Art.no. 12072001



**CAS** REC 15 DC1  
Tank volume: 15 litres  
Art.no. 12094601



**CAS** REB 15 DC1  
Tank volume: 15 litres  
Art.no. 12095001



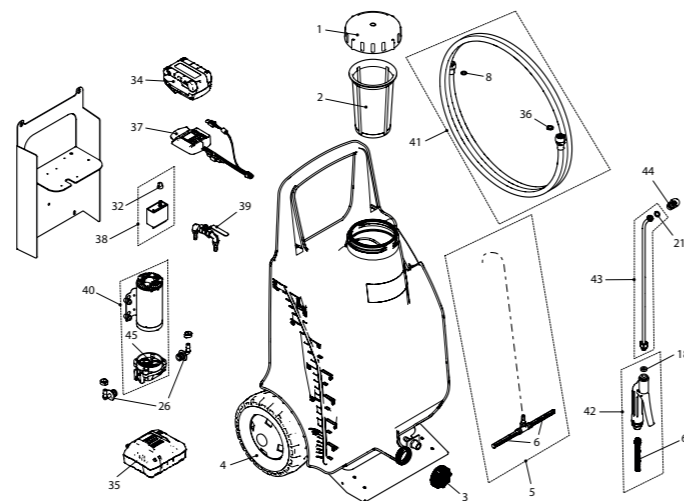
### Mobile battery spray system



**CAS** C 50 DC1  
Tank volume: 50 litres  
Art.no. 12150701



**NEW**  
**CAS**  
ACCU POWER



C 50 DC1



C 50 DC1, two-wheel battery sprayer (50 litres) with battery pack, with charger EU *	12150701	051956
C 50 DC2, two-wheel battery sprayer (50 litres) without battery pack, without charger *	12162101	053158
C 50 DC5, two-wheel battery sprayer (50 litres) with battery pack, without charger *	12162201	053165
C 50 DC1 TelRo, two-wheel battery sprayer with TelRo **/**	12197301	057187

**Accessories (Pictures see page 82 ff)**

AS 1200 GR1, battery spray blower (incl. battery carrying unit)	12184501	055770
Shoulder strap for AS 1200, in combination with C 50	12124101	023069
Waist and chest strap set	12052501	150413
Adjustable nozzle 1.7 mm, brass	28502597-SB	100777
Anti-drift 95% fanjet nozzle, G1/4"i	12171701	054261
Special nozzle NF 125, G1/4"i	12094201	011424
Foam nozzle G1/4"i	11688701	040561
Hose 10 m, G1/2"-G1/2", also requires the double ended connection	12156301	101101
G1/2" a-G1/2" a as a hose extension	80400701	700588
Trigger Profi, TelRo **	12197401	057194
Nozzle holder, TelRo **	12197701	057217

**Repair set, No 26 (with hose clamp)**

	12008301	720234
--	----------	--------

**Gasket set, No 6/8/14/15/16/18/21/36**

	12060601	012162
--	----------	--------

**No Spare parts**

1	Lid ø161 mm	11993501	720111
2	Filter screen	11993601	720128
3	Closing cap	12132801	023816
4	Wheel (1 pcs)	12007501	720135
5	Suction tube-set	12007601	720142
18	Gasket 12.2x7x3; 12 pcs per pack	11642404	040042
21	Gasket 17x11x1.5; 10 pcs per pack	11927301	113739
32	Potentiometer knob, <b>minimum order qty. 5 pcs</b>	11922701	720838
34	Battery pack 18 V LiHD / 8.0 Ah ***	12073601	150932
35	Quick charger ASC 55, 220-240 V, EU - plug type C ***	12070101	150864
37	Fixing for battery plate	12147401	051833
38	Electronic	12165401	053523
39	Mixing valve	12165201	053509
40	Pump and motor 12 V / 6.9 bar	12147101	051802
41	Hose 10 m, G1/2"-G1/2"	12156301	101101
42	Trigger Profi G1/2"	10966106	110608
	<b>Gasket set for trigger</b>	11664910	040851
43	Spray tube 50 cm curved, stainless steel	11669801	110622
44	Fanjet nozzle G1/4"i, TPU 8002 PP, Viton (grey)	11932703	400198
45	Pump head unit	12195401	056999

\* Different discount rate for large units

\*\* Further information on TelRo, see page 65

\*\*\* Further information about the battery packs (2.0 - 10.0 Ah) and chargers, see page 83 / 84

**Optimal chemical output for facade cleaners**

Whether you have a two-wheel battery-powered sprayer (C 50=50 litres) or a battery-powered backpack sprayer (REB/REC 15 = 15 litres), the Profi TelRo trigger and the matching TelRo nozzle holder allow you to connect the sprayer and telescopic lance easily and functionally.



**Available as accessories**

Trigger Profi TelRo	Art. No. 12197401
Nozzle carrier TelRo	Art. No. 12197701

**Scope of delivery complete sprayers**

C 50 DC1 TelRo	Art.No. 12197301	REB 15 DC1 TelRo	Art.No. 12197601	REC 15 DC1 TelRo	Art.No. 12198101
----------------	------------------	------------------	------------------	------------------	------------------

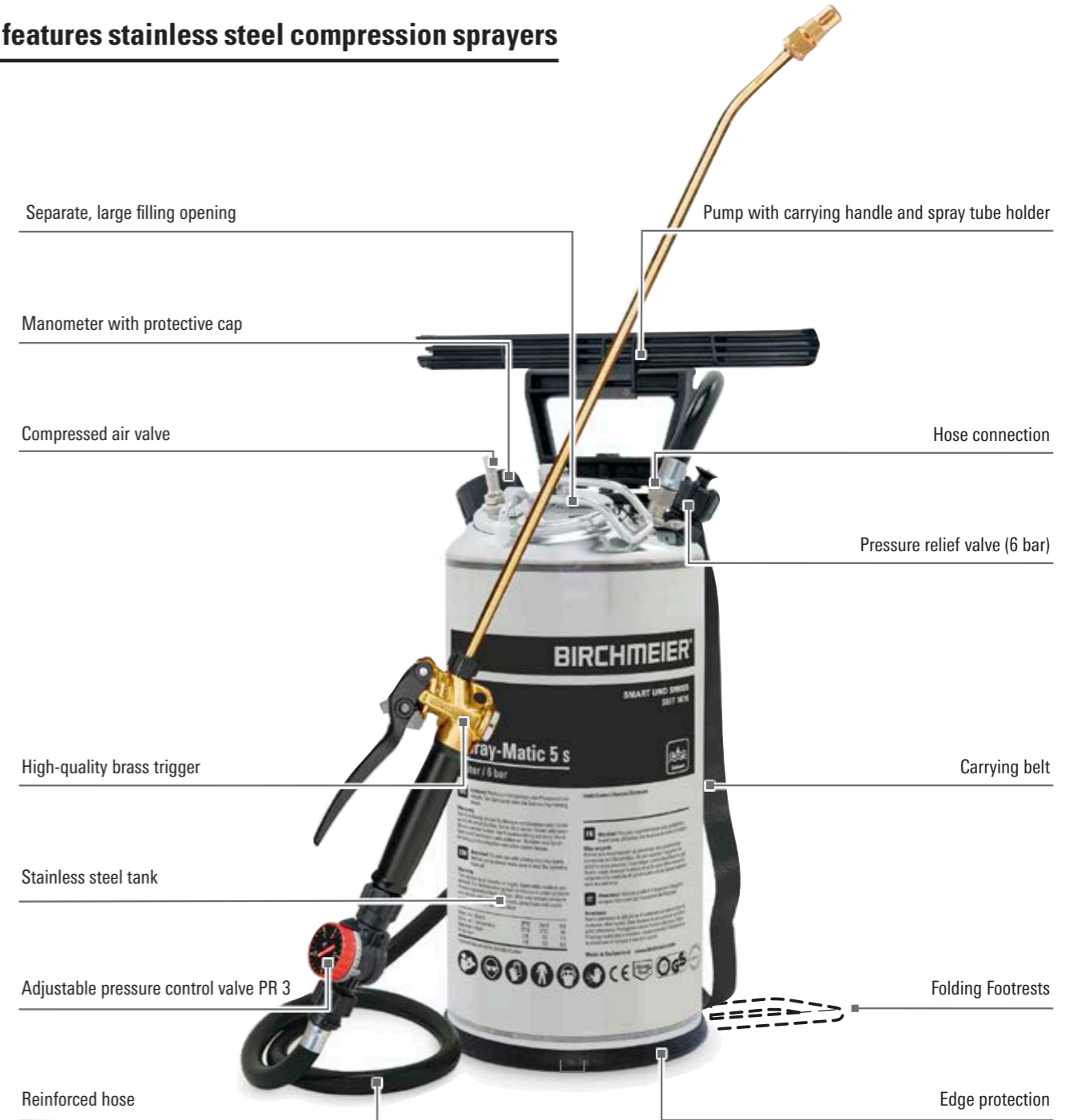


## Stainless steel compression sprayers

Spray-Matic	STANDARD				SPEZIAL				
	2S	5S	10S	20S	5SI	10SP	10S MSF	10S WHO	20SH
Tank capacity	3 l (0.8 US gal)	7.5 l (1.9 US gal)	14.8 l (3.9 US gal)	23.5 l (6.2 US gal)	7.5 l (1.9 US gal)	15.2 l (3.9 US gal)	14.8 l (3.9 US gal)	14.8 l (3.9 US gal)	23.5 l (6.2 US gal)
Filling capacity	2 l (0.5 US gal)	5 l (1.3 US gal)	10 l (2.6 US gal)	20 l (5.3 US gal)	5 l (1.3 US gal)	10 l (2.6 US gal)	10 l (2.6 US gal)	10 l (2.6 US gal)	20 l (5.3 US gal)
Spray tube	40 cm (1.3 ft)	40 cm (1.3 ft)	50 cm (1.6 ft)	50 cm (1.6 ft)	50 cm (1.6 ft) Inox	50 cm (1.6 ft) Inox	50 cm (1.6 ft)	50 cm (1.6 ft)	50 cm (1.6 ft) Inox
hose line	2 m	1.5 m	7.5 m	7.5 m	1.5 m	1.5 m	1.5 m	1.5 m	2 m
Adjustable nozzle	●	●	●	●					
Fanjet nozzle					●	●	●	●	●
Trigger brass	●	●					●	●	
Trigger stainless steel					●				
Trigger metal handle			●	●					
Trigger plastic						●			●
	●	●	●		●	●	●	●	
			●		●	●	●	●	
				●					●
	●	●			●		●		
				●					●
							●	●	
							●		

● included in delivery

## Key features stainless steel compression sprayers



### Optional / accessories:

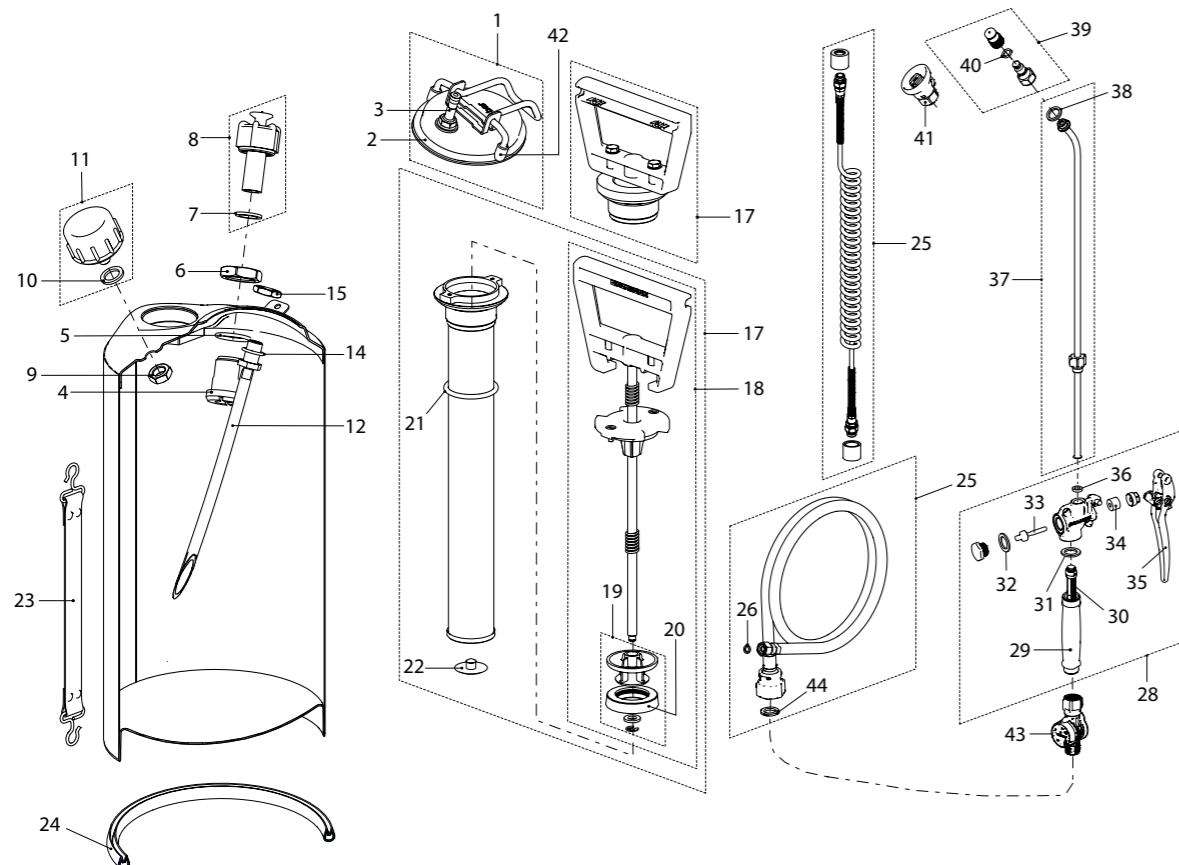


Stainless steel hand-cart (incl. in 20 S und 20 SH) (s.p.: 76)





Spray-Matic 2 S, hand pump and compressed-air union, with PR 3 P1	11989501	012148
Spray-Matic 5 S, hand pump and compressed-air union, with PR 3 P1	11381701	122014
Spray-Matic 5 SI, stainless steel hand pump and compressed-air union, with PR 3 P1	11840101	012087
Spray-Matic 5 SI, without hand pump, with compressed-air union, with PR 3 P1	11868401	110721
<b>Accessories (Pictures see page 82 ff)</b>		
Rim protector 1 m (Spray-Matic 5S / 5SI)	11978801	400891
Stainless steel pump 1.4401 PE FPM (Spray-Matic 5S)	11833017	110752
Two hand grip	11887301	040578
Closing cap with handle (instead of hand pump)	11380601	100630
XL 8 S Telescopic lance 7 m (max. 6 bar) / working height 8 m (Spray version)	11935801	113982
Extension tube straight 1 m, brass, G1/4"-G1/4"e	10960601	100463
Spray tube 1 m, stainless steel, G1/4"e-G1/4"e	11669802	110578
Double ended connection G1/4"e-G1/4"e (Spray-Matic 2S / 5S)	80400101	700564
Spiral hose black 7.5 m, G1/2"i - G1/2"i, requires	11935701	028583
Supplementary set for spiral hose Spray-Matic 5 S / 5SI	12142401	038445



No	Gasket set pump and tank consisting of:	For model	11390201-SB	700830
7	Gasket 21x15.4x2	2S / 5S / 5SI		
10	Gasket 14x9.7x1.5	2S / 5S / 5SI		
20	Sleeve ø38.85 x 7.9 mm	2S / 5S / 5SI		
22	Pump gasket ø24 mm	2S / 5S / 5SI		

No	Gasket set spraying equipment consisting of:	For model	10856501-SB	700823
26	Gasket 11x7.6x2	5S / 5SI		
27	Gasket 18.5x12x2	5S / 5SI		
30	Filter	2S / 5S / 5SI		
31	Gasket 24x16.2x2	2S / 5S / 5SI		
32	Gasket 24x16.2x2	2S / 5S / 5SI		
33	Valve rod	2S / 5S / 5SI		
33	Shaped packing 11.8x4x4	2S / 5S / 5SI		
33	Rim	2S / 5S / 5SI		
34	Gland packing	2S / 5S / 5SI		
36	Gasket 12.2x7x3	2S / 5S / 5SI		
38	Gasket 17x12.7x2	2S / 5S		
38	Gasket 17x11x1.5	5SI		
40	O-ring 7.66x1.78	2S / 5S		
44	Gasket 18.5x12x2	5S / 5SI		

No	Spare parts	For model		
1	Filler cap with compressed air valve	2S / 5S / 5SI	11647111	110769
2	O-ring 86x6	2S / 5S / 5SI	50117140	701141
3	Compressed air valve	2S / 5S / 5SI	11417101	110776
4	Nipple M24x2, minimum order qty. 5 pcs	2S / 5S	10473601	701059
4	Nipple M24x2, minimum order qty. 5 pcs	5SI	10473602	701509
5	O-ring 23.81x2.62, minimum order qty. 5 pcs	2S / 5S / 5SI	50117048	701240
6	Nut M24x2, minimum order qty. 5 pcs	2S / 5S / 5SI	10473501	701042
8	Safety and pressure relief valve 6 bar	2S / 5S	11617903-SB	710198
8	Safety and pressure relief valve 6 bar stainless steel	5SI	11669608	110783
9	Hexagon nut G1/8", minimum order qty. 5 pcs	2S / 5S / 5SI	10806101	701073
11	Manometer G1/8" brass	2S / 5S	10409601	701066
11	Manometer G1/8" chemically nickel-plated	5SI	11665001	110790
12	Suction tube L = 165 mm	2S	11379704	720968
12	Suction tube L = 355 mm	5S / 5SI	11379702	110806
14	O-ring 12.42x1.78, minimum order qty. 5 pcs	2S / 5S / 5SI	50117023	701165
15	Nut G1/4"	2S / 5S / 5SI	41208002	110820
17	Closing cap with handle	5SI	11380601	100630
17	Brass pump	2S	11990501	720937
17	Brass pump	5S	11881701	122328
17	Stainless steel pump 1.4404 PE FPM	5SI	11833017	110752
18	Piston rod	5S	11881703	122335
18	Piston rod	5SI	11833020	110837
19	Spare part kit guide with sleeve	2S / 5S / 5SI	11926401	113623
20	Sleeve; 6 pcs per pack	2S / 5S / 5SI	11642701	040059
21	O-ring 40x4, minimum order qty. 5 pcs	2S / 5S / 5SI	50117077	110844
23	Carrying belt	5S / 5SI	10453601	100739
24	Rim protector 1 m (Spray-Matic 5S / 5SI)	2S	11978801	400891
25	Spiral hose blue 2 m, G1/2"i-G1/2"i	2S	12124201	014760
25	Hose 1.5 m, G1/4"-G1/2", oil resistant	5S	11901501	400204
25	Hose 1.5 m, G1/4"-G1/2", nickel, oil resistant	5SI	12164001	053370
28	Trigger brass KB, G1/2", 10 bar	2S / 5S	12068501	150819
28	Trigger brass KB, nickel, G1/2", 10 bar	5SI	12054001	150086
29	Plastic handle G1/2"	2S / 5S / 5SI	10392201-SB	100944
35	Lever for trigger brass KB	2S / 5S / 5SI	12067901	150802
36	Gasket 12.2x7x3; 12 pcs per pack	2S / 5S / 5SI	11642404	040042
37	Spray tube 40 cm curved, brass	2S / 5S	11370703	700281
37	Spray tube 50 cm curved, stainless steel	5SI	11669801	110622
38	Gasket 17x12.7x2; 10 pcs per pack	2S / 5S	11642403	040035
38	Gasket 17x11x1.5; 10 pcs per pack	5SI	11927301	113739
39	Adjustable nozzle 1.3 mm, brass	2S / 5S	28502598-SB	100173
41	Fanjet nozzle G1/4"i, TPU 8002 PP, Viton (grey)	5SI	11932703	400198
42	Base, minimum order qty. 6 pcs	2S / 5S / 5SI	10961601	030418
43	Pressure control valve PR 3 P1	2S / 5S / 5SI	12140001	038223



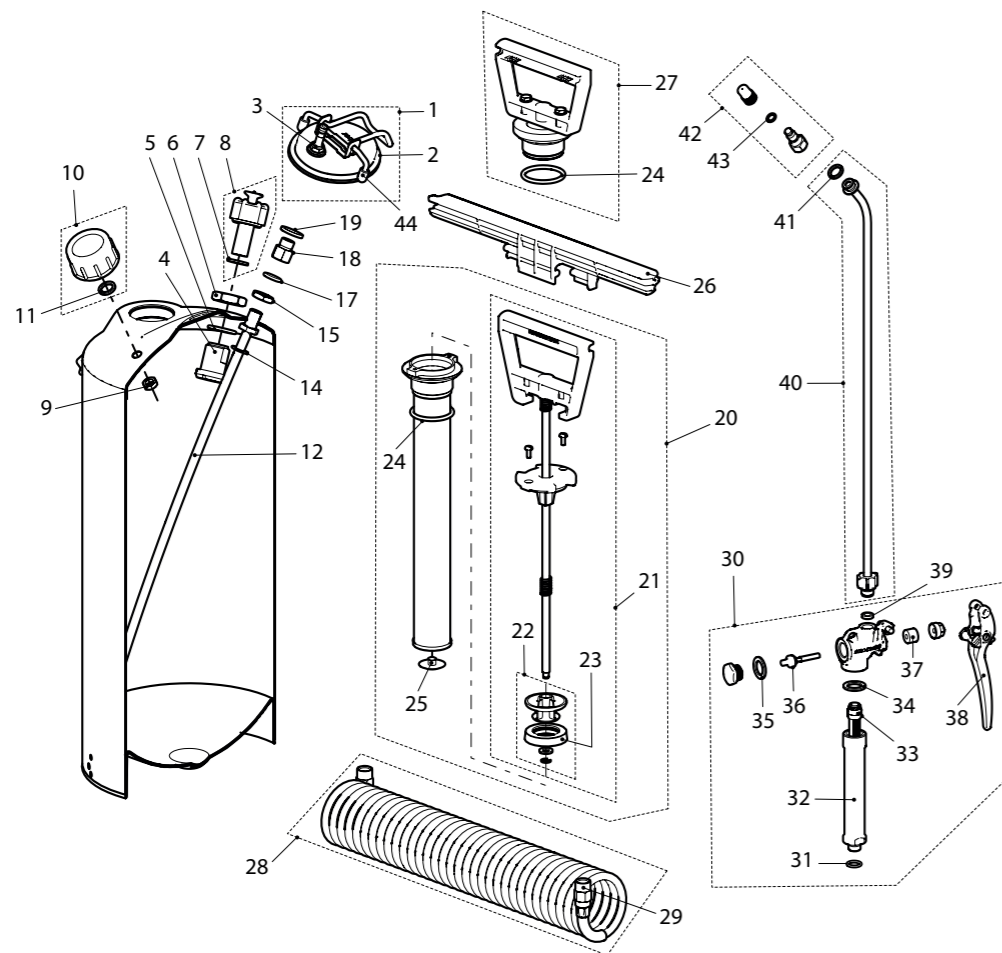
Spray-Matic 10 S



Stainless steel hand-cart H1



Spray-Matic 10 S, hand pump and compressed-air union	11380002	122021
Spray-Matic 10 S, compressed-air union	11380004	122038
<b>Accessories (Pictures see page 82 ff)</b>		
Rim protector 1 m	11978801	400891
Stainless steel hand-cart H1	11801501	110745
Stainless steel pump 1.4401 PE FPM	11833017	110752
Closing cap with handle (instead of hand pump)	11380601	100630
XL 8 S Telescopic lance 7 m (max. 6 bar) / working height 8 m (Spray version)	11935801	113982
Extension tube straight 1 m, brass, G1/4"i-G1/4"e	10960601	100463
Spray tube 1 m, stainless steel, G1/4"e-G1/4"e	11669802	110578
Filler cap with reducing valve & nipple series 22 + 25	11647101	113210
Double ended connection G1/4"e-G1/4"e	80400101	700564



No	Gasket set pump and tank consisting of:	11390201-SB	700830
7	Gasket 21x15.4x2		
11	Gasket 14x9.7x1.5		
17	O-ring 10x2		
19	Gasket 17x12.7x2		
23	Sleeve $\varnothing$ 38.85 x 7.9 mm		
25	Pump gasket $\varnothing$ 24 mm		

Nr.	Gasket set spraying equipment consisting of:	10856501-SB	700823
31	O-ring 10x2		
33	Filter		
34	Gasket 24x16.2x2		
35	Gasket 24x16.2x2		
36	Valve rod		
36	Shaped packing 11.8x4x4		
36	Rim		
37	Gland packing		
39	Gasket 12.2x7x3		
41	Gasket 17x12.7x2		
43	O-ring 7.66x1.78		

No	Spare parts		
1	Filler cap with compressed air valve	11647104	110868
2	O-ring 86x6	50117140	701141
3	Compressed air valve	11417101	110776
4	Nipple M24x2, <b>minimum order qty. 5 pcs</b>	10473601	701059
5	O-ring 23.81x2.62, <b>minimum order qty. 5 pcs</b>	50117048	701240
6	Nut M24x2, <b>minimum order qty. 5 pcs</b>	10473501	701042
8	Safety and pressure relief valve 6 bar	11617903-SB	710198
9	Hexagon nut G1/8", <b>minimum order qty. 5 pcs</b>	10806101	701073
10	Manometer G1/8" brass	10409601	701066
12	Suction tube L= 480 mm	11379703	110899
14	O-ring 12.42x1.78, <b>minimum order qty. 5 pcs</b>	50117023	701165
15	Nut G1/4"	41208002	110820
18	Double nipple G1/4"e-G1/4"i	11398401	110912
19	Gasket 17x12.7x2; 10 pcs per pack	11642403	040035
20	Brass pump	11881701	122328
21	Piston rod	11881703	122335
22	Spare part kit guide with sleeve	11926401	113623
23	Sleeve; 6 pcs per pack	11642701	040059
24	O-ring 40x4, <b>minimum order qty. 5 pcs</b>	50117077	110844
26	Two hand grip	11887301	040578
27	Closing cap with handle	11380601	100630
28	Spiral hose black 7.5 m, G1/4"i - G1/4"i	11905301	113081
29	Screwed joint	11910001	113098
30	Trigger brass KB, blank, nickel, G1/4", 20 bar	12053001	150062
32	Brass handle, nickel, G1/4"	11949601	400846
38	Lever for trigger brass KB	12067901	150802
39	Gasket 12.2x7x3; 12 pcs per pack	11642404	040042
40	Spray tube 50 cm, curved, brass	11370704	700311
41	Gasket 17x12.7x2; 10 pcs per pack	11642403	040035
42	Adjustable nozzle 1.3 mm, brass	28502598-SB	100173
44	Base, <b>minimum order qty. 6 pcs</b>	10961601	030418



Spray-Matic 10 S (WHO)



Spray-Matic 10 S Plus (MSF)



Spray-Matic 10 S (WHO)	12147501	051406
Spray-Matic 10 S Plus (MSF)	12034201	012131





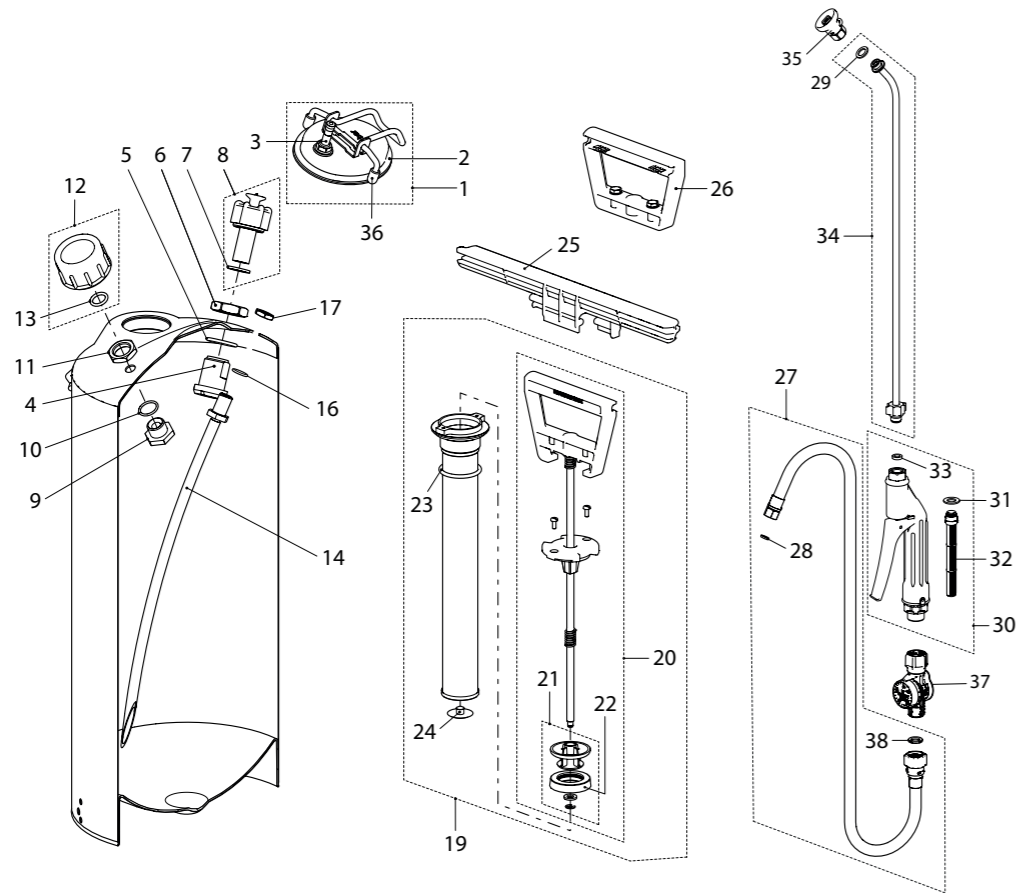
Spray-Matic 10 SP



Stainless steel hand-cart H1



Spray-Matic 10 SP, stainless steel hand pump and compressed-air union, with PR 3 P1	11380001	122045
Spray-Matic 10 SP, compressed-air union, with PR 3 P1	11905701	122342
<b>Accessories (Pictures see page 82 ff)</b>		
Adjustable nozzle 1.3 mm, brass nickel with G1/4" thread	11926801	113685
Stainless steel hand-cart H1	11801501	110745
Closing cap with handle (instead of hand pump)	11380601	100630
Spray tube 1 m, stainless steel, G1/4"e-G1/4"e	11669802	110578
Filler cap with reducing valve & nipple series 22 + 25	11647101	113210
More fanjet nozzles G1/4"i, see page 87		



<b>No</b>	<b>Gasket set pump and tank consisting of:</b>	11390201-SB	700830
7	Gasket 21x15.4x2		
13	Gasket 14x9.7x1.5		
22	Sleeve ø38.85 x 7.9 mm		
24	Pump gasket ø24 mm		
<b>No</b>	<b>Gasket set spraying equipment consisting of:</b>	10856501-SB	700823
28	Gasket 11x7.6x2		
29	Gasket 18.5x12x2		
32	Filter		
33	Gasket 12.2x7x3		
38	Gasket 18.5x12x2		
<b>No</b>	<b>Spare parts</b>		
1	Filler cap with compressed air valve	11647104	110868
2	O-ring 86x6	50117140	701141
3	Compressed air valve	11417101	110776
4	Nipple M24x2, <b>minimum order qty. 5 pcs</b>	10473602	701509
5	O-Ring 23.81x2.62, <b>minimum order qty. 5 pcs</b>	50117048	701240
6	Nut M24x2, <b>minimum order qty. 5 pcs</b>	10473501	701042
8	Safety and pressure relief valve 6 bar stainless steel	11669608	110783
9	Nipple G3/8"-G1/8"	11380801	110875
10	O-ring 15.6x1.78, <b>minimum order qty. 5 pcs</b>	50117028	701189
11	Nut G3/8", <b>minimum order qty. 5 pcs</b>	41208702	110882
12	Manometer	11665001	110790
14	Suction tube 500 mm	11379701	110905
16	O-ring 12.42x1.78, <b>minimum order qty. 5 pcs</b>	50117023	701165
17	Nut G1/4"	41208002	110820
19	Stainless steel pump 1.4401 PE FPM	11833017	110752
20	Piston rod	11833020	110837
21	Spare part kit guide with sleeve	11926401	113623
22	Sleeve; 6 pcs per pack	11642701	040059
23	O-ring 40x4, <b>minimum order qty. 5 pcs</b>	50117077	110844
25	Two hand grip	11887301	040578
26	Closing cap with handle	10964301	110936
27	Hose 2 m, G1/4"-G1/2"	10834225	113104
29	Gasket 17x11x1.5; 10 pcs per pack	11927301	113739
30	Trigger Profi G1/2"	10966106	110608
	<b>Gasket set for trigger</b>	11664910	040851
31	Gasket 20x11x1.5, <b>minimum order qty. 5 pcs</b>	11414605	113111
33	Gasket 12.2x7x33; 12 pcs per pack	11642404	040042
34	Spray tube 50 cm, curved stainless steel	11669801	110622
35	Fanjet nozzle G1/4"i, TPU 8002 PP, Viton (grey)	11932703	400198
36	<b>Base, minimum order qty. 6 pcs</b>	10961601	030418
37	Pressure control valve PR 3 P1 (adjustable)	12140001	038223
38	Gasket 18.5x12x2; 10 pcs per pack	12177701	055084



Spray-Matic 20 S

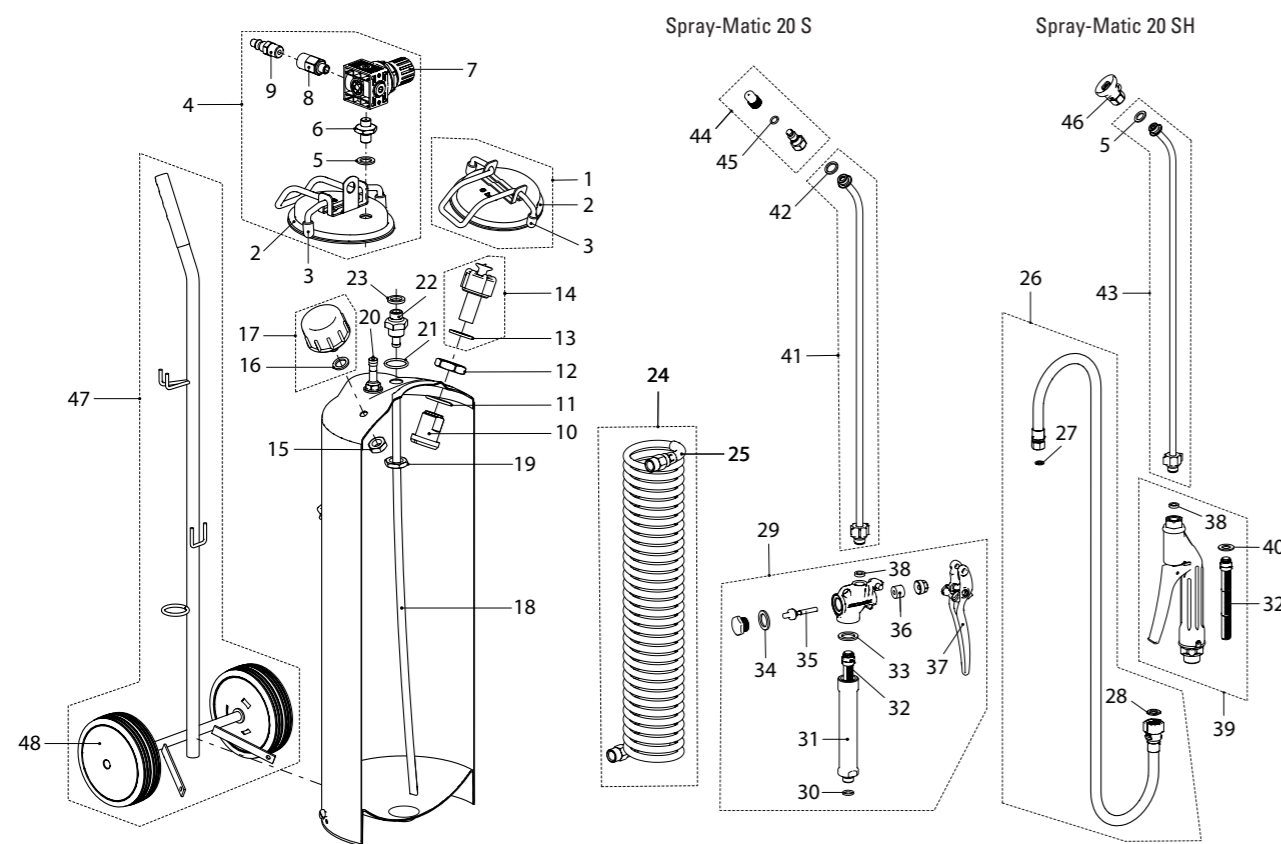
Spray-Matic 20 SH



Reduced resistance



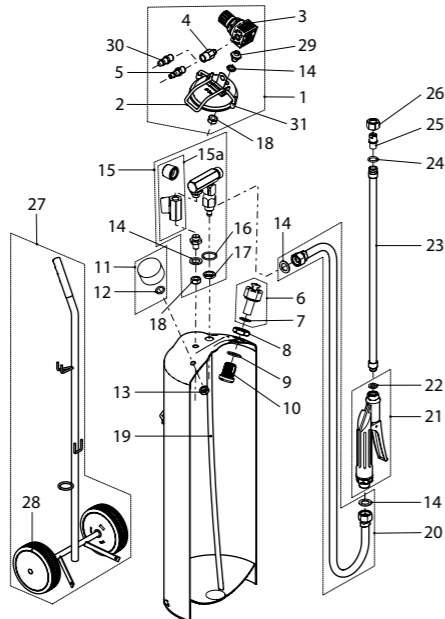
Spray-Matic 20 S, without reducing valve (with hand cart)	11648202	122243
Spray-Matic 20 S, with reducing valve - type controlled (with hand cart)	11648201	122281
Spray-Matic 20 SH, without reducing valve (with hand cart)	11648204	122311
<b>Accessories (Pictures see page 82 ff)</b>		
Fanjet nozzle TP 8002 brass	20S	11612810 110561
Fanjet nozzle G1/4", XR 8001 VS (orange)	20S	11612801-SB 100289
Fanjet nozzle G1/4", XR 8002 VS (yellow)	20S	11612803-SB 100302
Extension tube straight 1 m, brass, G1/4"-G1/4"e	20S	10960601 100463
Pressure control valve PR 3 P1 (adjustable)	20SH	12140001 038223
Adjustable nozzle 1.3 mm, brass nickel with G1/4" thread	20SH	11926801 113685
Spray tube 1 m, stainless steel, G1/4"e-G1/4"e	20SH	11669802 110578
Filler cap with reducing valve & nipple series 22 + 25	20S/20SH	11647101 113210
More fanjet nozzles G1/4", see page 87	20S/20SH	



		<i>For model</i>	
<b>No</b>	<b>Gasket set pump consisting of:</b>	20S/20SH	11390202 700984
13	Gasket 21x15.4x2	20S/20SH	
16	Gasket 14x9.7x15	20S/20SH	
21	O-Ring 17.17x1.78	20S/20SH	
23	Gasket 17x12.7x2	20S/20SH	
<b>No</b>	<b>Gasket set spraying equipment consisting of:</b>	10856501-SB	700823
5	Gasket 17x11x1.5	20S/20SH	
27	Gasket 11x7.6x2	20SH	
28	Gasket 18.5x12x2	20SH	
30	O-ring 10x2	20S	
32	Filter	20S/20SH	
33	Gasket 24x16.2x2	20S	
34	Gasket 24x16.2x2	20S	
35	Valve rod	20S	
35	Shaped packing 11.8x4x4	20S	
35	Rim	20S	
36	Gland packing	20S	
38	Gasket 12.2x7x3	20S/20SH	
42	Gasket 17x12.7x2	20S	
45	O-ring 7.66x1.78	20S	
<b>No</b>	<b>Spare parts</b>		
1	Filler cap without reducing valve complete	20S/20SH	11647103 110851
2	O-ring 86x6	20S/20SH	50117140 701141
3	Base, <b>minimum order qty. 6 pcs</b>	20S/20SH	10961601 030418
4	Filler cap with reducing valve complete	20S	11647105 110943
5	Gasket 17x11x1.5; 10 pcs per pack	20S/20SH	11927301 113739
6	Double ended connection G1/8"-M10x1, nickel	20S	11647201 011400
7	Reducing valve	20S	11560101 110950
8	Non-return valve	20S	11459101 110967
9	Push-on nipple aR1/4"	20S	11653001 150529
10	Nipple M24x2, <b>minimum order qty. 5 pcs</b>	20S/20SH	10473601 701059
11	O-ring 23.18x2.62, <b>minimum order qty. 5 pcs</b>	20S/20SH	50117048 701240
12	Nut M24x2, <b>minimum order qty. 5 pcs</b>	20S/20SH	10473501 701042
14	Safety and pressure relief valve 6 bar	20S	11617903-SB 710198
14	Safety and pressure relief valve 6 bar stainless steel	20SH	11669608 110783
15	Hexagon nut G1/8", <b>minimum order qty. 5 pcs</b>	20S/20SH	10806101 701073
17	Manometer	20S/20SH	10409601 701066
18	Suction tube L = 715 mm	20S/20SH	11468201 110981
19	Nut G3/8", <b>minimum order qty. 5 pcs</b>	20S/20SH	41208702 110882
20	Compressed air valve	20S/20SH	11417101 110776
22	Double nipple G3/8"-G1/4"	20S/20SH	11646701 113036
24	Spiral hose black 7.5 m, G1/4"i - G1/4"i	20S	11905301 113081
25	Screwed joint	20S	11910001 113098
26	Hose 2 m, G1/4"-G1/2"	20SH	10834225 113104
28	Gasket 18.5x12x2; 10 pcs per pack	20SH	12177701 055084
29	Trigger brass KB, blank, nickel, G1/4", Viton, 20 bar	20S	12053001 150062
31	Brass handle, nickel, G1/4"	20S	11949601 400846
37	Lever for trigger brass KB	20S	12067901 150802
38	Gasket 12.2x7x3; 12 pcs per pack	20S/20SH	11642404 040042
39	Trigger Profi G1/2"	20SH	10966106 110608
	<b>Gasket set for trigger</b>	20SH	11664910 040851
40	Gasket 20x11x1.5, <b>minimum order qty. 5 pcs</b>	20SH	11414605 113111
41	Spray tube 50 cm curved, brass	20S	11370704 700311
42	Gasket 17x12.7x2; 10 pcs per pack	20S/20SH	11642403 040035
43	Spray tube 50 cm, curved stainless steel	20SH	11669801 110622
44	Adjustable nozzle 1.3 mm, brass	20S	28502598-SB 100173
46	Fanjet nozzle G1/4", TPU 8002 PP, Viton (grey)	20SH	11932703 400198
47	Stainless steel hand-cart H1	20S/20SH	11801501 110745
48	Plastic wheel 150 mm with cover	20S/20SH	11806101 113043



Indu-Matic 20 M



Indu-Matic 20 M, incl. high-grade steel cart and 4 m hose

11561801

122076

**Accessories (Pictures see page 82 ff)**

Hose 6 m, G1/2"-G1/2"	10834215	710365
Hose 8 m, G1/2"-G1/2"	10834216	710372
Compressed air hose, incl. quick coupling, length 10 m	11590001	701462
Spray tube 50 cm curved, stainless steel	11669801	110622
Fanjet nozzle G1/4", XR 8002 VS (yellow)	11612803-SB	100302

**No Gasket set consisting of:**

11593601

700939

7	Gasket 21x15.4x2		
9	O-ring 23.81x2.62		
12	Gasket 14x9.7x1.5		
14	Gasket 17x11x1.5		
16	O-ring 17.17x1.78		
22	Gasket 12.2x7x3		
24	O-ring 10x2		

**No Spare parts**

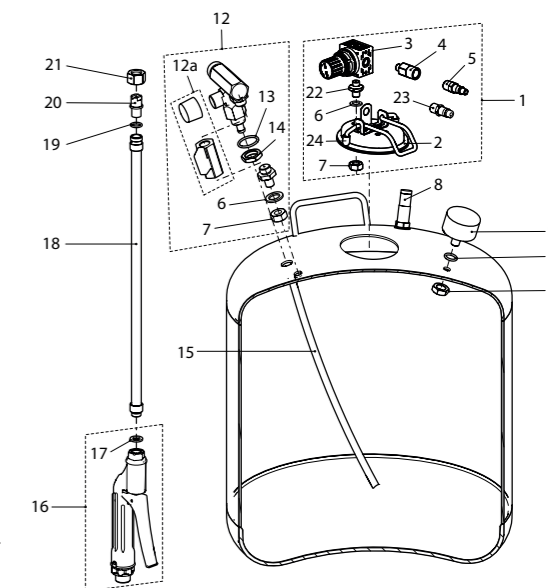
1	Filler cap with reducing valve brass nickel-plated	11647101	113210
2	O-ring 86x6	50117140	701141
3	Reducing valve complete	11560101	110950
4	Non-return valve	11459101	110967
5	Push-on nipple aR1/4" (Version CH)	11653001	150529
6	Safety and relief valve 6 bar	11669608	110783
8	Nut M24x2, <b>minimum order qty. 5 pcs</b>	10473501	701042
10	Nipple, <b>minimum order qty. 5 pcs</b>	10473602	701509
11	Manometer G1/8" chemically nickel-plated	11665001	110790
13	Hexagon nut G1/8", <b>minimum order qty. 5 pcs</b>	10806101	701073
15	Mixing valve	12031701	720777
15a	Spare parts set for mixing unit (tap compl., handwheel and shield)	12061101	150482
17	Hexagon nut G3/8", <b>minimum order qty. 5 pcs</b>	41208702	110882
18	Hexagon nut M10x1 A4, <b>minimum order qty. 5 pcs</b>	11647001	720784
19	Suction tube L = 715 mm	11468201	110981
20	Hose 4 m, G1/2"-G1/2"	10834214	710358
21	Trigger Profi G1/2"	10966110	040097
	<i>Gasket set for trigger</i>	11664910	040851
22	Gasket 12.2x7x3; 12 pcs per pack	11642404	040042
23	Spraying tube 45 cm straight, stainless steel, G1/4"-G3/8"e	11544901	710389
25	Fanjet nozzle TP 6540-SS	11582701	100319
26	Skirted nut G3/8", <b>minimum order qty. 5 pcs</b>	42003802	701127
27	Stainless steel hand-cart H1	11801501	110745
28	Plastic wheel 150 mm with cover	11806101	113043
29	Double ended connection G1/8"-M10x1, nickel	11647201	011400
30	Push-on nipple series 25 (Version EU)	11689301	013770
31	Base, <b>minimum order qty. 6 pcs</b>	10961601	030418



Indu-Matic 50 M



Indu-Matic 100 M



Indu-Matic 50 M, without cart and hose \*

11664801

122298

Indu-Matic 100 M, without cart and hose \*

11664802

122304

**Accessories (Pictures see page 82 ff)**

Handcart high-grade steel incl. fixation for Indu-Matic 50 M + 100 M	11646401	030074
Hose 4 m, G1/2"-G1/2"	10834214	710358
Hose 6 m, G1/2"-G1/2"	10834215	710365
Hose 8 m, G1/2"-G1/2"	10834216	710372
Hose 15 m, G1/2"-G1/2"	10834226	113241
Compressed air hose, incl. quick coupling, length 10 m	11590001	701462
Spray tube 50 cm curved, stainless steel	11669801	110622
Fanjet nozzle G1/4", XR 8002 VS (yellow)	11612803-SB	100302

**No Gasket set consisting of:**

11593601

700939

6	Gasket 17x11x1.5		
10	Gasket 14x9.7x1.5		
13	O-ring 17.17x1.78		
17	Gasket 12.2x7x3		
19	O-ring 10x2		

\* Different discount rate for large units

Detailed spare parts list and accessories see [www.birchmeier.com](http://www.birchmeier.com)

## Explanation of the pictograms

### 1. Nozzle type



### 2. Maximal working pressure<sup>2</sup>



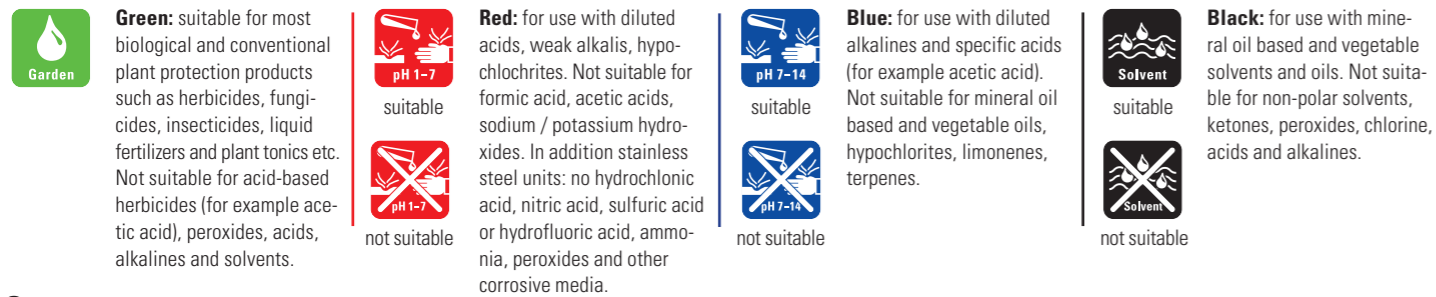
### 3. Connection<sup>3</sup>



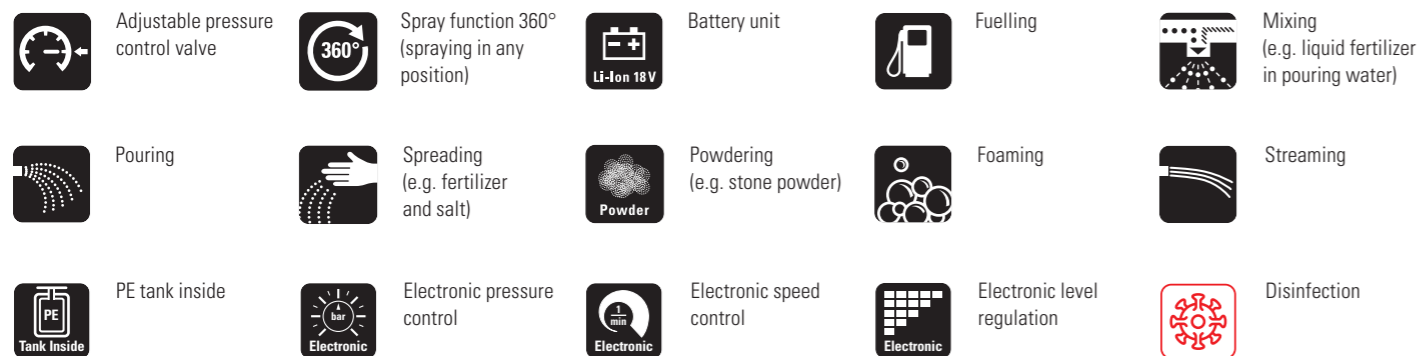
### 4. Stress class<sup>4</sup>



### 5. Resistance<sup>5</sup>



### 6. Special function



**Legend:**  
 1 Only screw fitting (see point no. 3)  
 2 The safety valve prevents that these pressures are exceeded at compression sprayers  
 3 Compression or screw fitting (for nozzles, spraying tube, accessories, etc.)  
 4 The stress class referred to the classification of Birchmeier products in its resilience and robustness  
 5 The green / red / blue / black coding is a non-binding assistance for choosing the right sprayer and foamer of Birchmeier. Depending on the composition of the spraying agent, this coding maybe differ. In doubt, follow the recommendations of the chemical manufacturer.

**Important:**  
 Because of differences in conditions (concentration, temperature, pressure etc.) and composition of chemicals / fluids the recommended colour coding green / red / blue / black are only guidelines and should not be taken as binding. For these reasons we cannot give any guarantees as to the correctness of our recommendations in individual cases.

## ACCESSORIES

- **NOZZLES**
- **TRIGGERS**
- **SPRAY BOOMS**
- **EXTENSION TUBES**
- **SPRAY HOODS**
- **ETC.**



Made in Switzerland



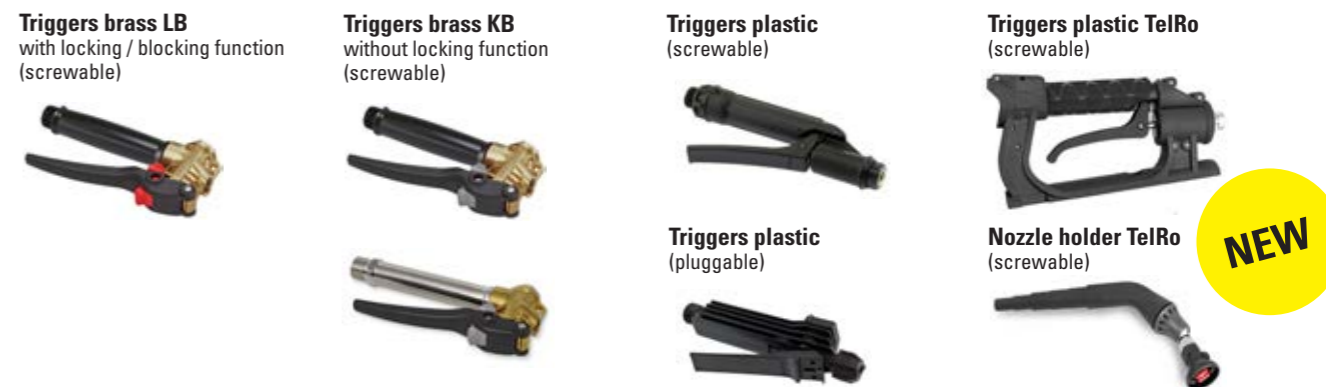
Two hand grip for pump	11887301	040587
Battery pump 7.4 V, 2.6 Ah	12092101	010953
TLK 35, without battery pack, without charger	12185901	056074
TLK 35, with battery pack 2 Ah, with charger SC 36	12193301	056678
TLK 35, with battery pack 4 Ah, with charger ASC 55	12195001	056708



Vario Gun G1/2"e, up to 10 bar	11558501	100821
<b>Spare parts for Vario Gun</b>		
Skirted nut, minimum order qty. 5 pcs	11557901	701257
Nozzle plate with gasket 1.3 mm stainless, minimum order qty. 5 pcs	11978301	400884



<b>Gun Media G1/2"e, up to 40 bar</b>		
Trigger G1/2"e for motorized pumps A 75 AM1 / A 130 AM1 and other models	10368301-SB	200040
Trigger G1/2"e for electric pumps A 75 AE1 / A 130 AE1 and other models	10368307	200064
<b>Accessories</b>		
Swivel joint, G1/2", keeps hose from twisting	10397901-SB	700502
<b>Spare parts</b>		
Replacement jet discs for Gun Media, high-grade steel		
Diameter opening 1.0 mm	85302901	701325
Diameter opening 1.3 mm	85302902	701332
Diameter opening 1.5 mm	85302903	701349
Diameter opening 1.8 mm	85302904	701356
Diameter opening 2.0 mm	85302905	701363
Diameter opening 2.5 mm	85302907	701370
Diameter opening 3.0 mm	85302909	701387
Cap nut for jet discs Gun Media, with gasket	10613601	701271
Swirl core with 6 circular grooves, for all diameters	84402501	701288
Swirl core with 2 circular grooves, for diameters 1.0 to 1.5 mm	84402701	701295
Gasket set for Gun Media	10501701-SB	700182



<b>Triggers brass</b>		
<b>Triggers brass LB, screwable</b>		
Trigger brass LB, G1/2", Viton, 10 bar	12047501-SB	150048
Trigger brass LB, G1/2", Viton, 10 bar, with pressure gauge	12051501	150055

<b>Triggers brass KB, screwable</b>		
Trigger brass KB, G1/2", Viton, 10 bar	12068501	150819
Trigger brass KB, nickel, G1/2", Viton, 10 bar	12054001	150086
Trigger brass KB, blank, nickel, G1/4", Viton, 20 bar	12053001	150062
Trigger brass KB, blank, nickel, G1/2", Viton, 25 bar	12053501	150079

<b>Gasket set</b>		
Plastic handle G1/2"	10392201-SB	100944
Brass handle, nickel, G1/4"	11949601	400846
Brass handle, nickel, G1/2"	11949501	400600
Gasket 12.2x7x3; 12 pcs per pack	11642404	040042
Pressure gauge G1/8" brass with protective cap and screw plug	10409601	701066

<b>Triggers plastic</b>		
<b>Triggers plastic, screwable</b>		
Trigger Profi, G1/2" Viton	11934701	113784
Trigger Profi, G1/2" Viton, with stainless steel valve rod	10966106	110608
Trigger Profi, G1/2" Viton, without filter	10966110	040097
Trigger Profi, G1/2" Viton, with hose fitting ø8	10966105-SB	100678
Trigger Profi, G1/2" EPDM	10966107	110615
Trigger Profi, G1/2" Viton, with foam tube adapter	11907101	040639
Trigger Profi, G1/2" EPDM, with foam tube adapter	11907102	040646
Trigger Profi, G1/2" NBR, without oil for DR 5	10495007	100807
Trigger Profi, TelRo *	12197401	057194
Nozzle holder, TelRo *	12197701	057217

<b>Gasket set</b>		
Gasket set for trigger Profi, G1/2" Viton	11664910	040851
Gasket set for trigger Profi, G1/2" EPDM	11973801	400853

<b>Triggers plastic, pluggable</b>		
Trigger G1/2" NBR	11488706	150505
Trigger G1/2" Viton	11488703	100791
Trigger G1/2" EPDM	11488705	110493



<b>Battery packs CAS versions</b>		
Battery pack 18 V Li-Power / 2.0 Ah	12070301	150871
Battery pack 18 V Li-Power / 4.0 Ah	12071401	150895
Battery pack 18 V Li-Power / 5.2 Ah	12072501	150918
Battery pack 18 V LiHD / 8.0 Ah	12073601	150932
Battery pack 18 V LiHD / 10.0 Ah	12100701	012247

\* Further information on TelRo, see page 65

\*\* For battery pack if registered at [www.birchmeier.com/3y](http://www.birchmeier.com/3y)



Chargers CAS versions		
Quick charger ASC 55, 220-240 V, EU - plug type C	12070101	150864
Quick charger ASC 55, 220-240 V, UK - plug type G	12071201	150888
Quick charger ASC 55, 110-120 V, USA - plug type A	12072301	150901
Quick charger ASC 55, 220-240 V, AUS - plug type I	12073401	150925
Charger SC 36, 220-240 V, EU - plug type C	12074501	150949
Charger SC 36, 220-240 V, UK - plug type G	12110901	012971
Charger SC 36, 110-120 V, USA - plug type A	12111101	012988
Charger SC 36, 220-240 V, AUS - plug type I	12108401	012834
Double quick charger ASC 145 DUO, 220-240 V, EU - plug type F	12118501	014357
Double quick charger ASC 145 DUO, 220-240 V, UK - plug type G	12119001	014364
Double quick charger ASC 145 DUO, 110-120 V, USA - plug type A	12119501	014371
Double quick charger ASC 145 DUO, 220-240 V, AUS - plug type I	12120001	014388



Spray booms		
Spray boom, plastic, max. 4 bar, compression fitting, 4 fanjet nozzles TP 80015 VP (green)	11659801-SB	100975
Spray boom, aluminium, max. 12 bar, screw fitting, 4 fanjet nozzles TP 11002 VP (yellow)	11889501-SB	040677
Spray boom, aluminium, max. 12 bar, screw fitting, 4 fanjet nozzles AIXR 110015 VP (green)	12050201	150420
Spray boom, aluminium, screw fitting, 4 fanjet nozzles XR 11001 VS (orange) for REC	12033001	720845

Accessories		
Anti-drop-valve for all spray booms (requires 1 pcs / nozzle)	50142046	113654

Spare parts		
Repair set for spray boom 4 bar, compression fitting (nozzle, nut, filter, 1 pcs of each)	11873501	110080
Repair set for spray boom 12 bar, screw fitting TP 11002 VP (nozzle, nut, filter, 1 pcs of each)	11911101	110110



XL 8 D, telescopic lance 7 m (max. 6 bar) / working height 8 m (Dust version)	11935401	113791
XL 8 S, telescopic lance 7 m (max. 6 bar) / working height 8 m (Spray version)	11935801	113982

Accessories		for model	
Spray set	XL 8 D	11938901	113869
Blow-out valve	XL 8 D	11937101	113845

Spare parts		for model	
Flexible tip	XL 8 S / XL 8 D	11936201	113814
7 m hose set	XL 8 S / XL 8 D	11936301	113821
Compression fitting 6 mm	XL 8 S / XL 8 D	11951901	400303
Tube section 1	XL 8 S / XL 8 D	11951101	400228
Tube section 2	XL 8 S / XL 8 D	11951201	400235
Tube section 3	XL 8 S / XL 8 D	11951301	400242
Tube section 4	XL 8 S / XL 8 D	11951401	400259
Tube section 5	XL 8 S / XL 8 D	11951501	400266
Tube section 6	XL 8 S / XL 8 D	11951601	400273
Tube section 7	XL 8 S / XL 8 D	11951701	400280
Safety cap set	XL 8 S / XL 8 D	11951801	400297
Spray set for tube ø 6 mm	XL 8 S	11938901	113869



Brass tubes straight		
Spray tube 40 cm, to insert double-sided	11310401	710273
Spray tube 50 cm, to insert double-sided	11310402	710297
Spray tube 50 cm, with adjust. connect., G1/4"e on both sides	11378401	700298
Spray tube 60 cm, with adjust. connect., G1/4"e on both sides	12007301	720067
Spray tube 60 cm, without adjust. connect., G1/4"e on both sides	28556603	700250
Spray tube 80 cm, without adjust. connect., G1/4"e on both sides	28556606	701400
Spray tube 1 m, to insert trigger valve-side, G1/4"e on the nozzle's side	11486401	040820
Extension tube straight 1 m, brass, G1/4"i-G1/4"e	10960601	100463



Stainless steel tubes		
Spray tube 50 cm, compression fitting pistol-side, stainless steel, G1/4"e on the nozzle's side	11430803	014739
Spray tube 50 cm curved, stainless steel, with adjust. connect., G1/4"e on both sides	11669801	110622
Spray tube 1 m, straight, stainless steel, G1/4"i-G1/4"e	11669802	110578



Telescopic tubes		
Telescopic tube 1 - 2 m, anodised aluminium, thread G1/4"e on both sides (max. 6 bar)	10985201	100456
Telescopic tube 0.5 - 1 m, anodised aluminium, thread G1/4"e on both sides (max. 6 bar)	10985204	030104
Telescopic tube 0.45 - 0.9 m, plastic/aluminium (max. 4 bar)	11659001-SB	030098
Gasket set for extension tube made of aluminium	10985205-SB	700908



Brass tubes curved		
Spray tube 40 cm, with adjust. connect. G1/4"e on both sides	11370703	700281
Spray tube 50 cm, with adjust. connect. G1/4"e on both sides	11370704	700311
Spray tube 60 cm, with adjust. connect. G1/4"e on both sides	12007401	720074
Spray tube 60 cm, without adjust. connect. G1/4"e on both sides	11008402	700267
Spray tube 50 cm, compression fitting pistol-side, G1/4"e on the nozzle's side	11430802	701493



Plastic tubes straight		
Spray tube 40 cm, black, compression fitting double-sided	11631101	040813
Spray tube 40 cm, black, compression fitting double-sided, glass-fibre reinforced	11497401	100760
Spray tube 1 m, black, compression fitting double-sided, glass-fibre reinforced	11497403	100890

Spare parts		
Gasket 17x12.7x2 for brass lance with G1/4"e; 10 pcs per pack	11642403	040035

2026

Art.no.

EAN-Code  
7611034...

11947101

Mini-Flex for dusting



11947101

Spray set

11938901

Mini-Flex for spraying



Mini-Flex	11947101	710600
<b>Accessories</b>		
Spray set for tube ø 6 mm	11938901	113869



11864801



11588501



11871101

Spray hood round, ø12.5 cm, compression fitting	11864801	110042
<b>Accessories</b>		
Adapter for spray tubes G1/4"e	11588501	400334
Spray hood oval, compression fitting	11871101	110066



11998601



10501606



12162401



11612813-SB

Spray hood round, ø12.5 cm, screw fitting	11998601	710891
Professional spray hood oval, screw fitting	10501606	100906
Professional spray hood oval, screw fitting, brass free	12162401	053189
<b>Spare parts</b>		
Nozzle compl. for professional spray hood 10501606	11612813-SB	100470



12052501



Waist and chest strap set	12052501	150413
for Flox 10 / Iris 15 / Spray-Matic 10 B / REA 15 / REB 15 / REC 15 / REX 15 (from versions 2020), for AS 1200 (from version 2022)		

2026

Art.no.

EAN-Code  
7611034...

11926801



28502598-SB



28502599-SB



11323002



11859401-SB

<b>Brass adjustable nozzles</b>		
Adjustable nozzle with G1/4", thread dia. 1.3 mm brass *	28502598-SB	100173
Adjustable nozzle with G1/4", thread dia. 1.3 mm brass nickel *	11926801	113685
Adjustable nozzle with G1/4", thread dia. 1.7 mm brass *	28502597-SB	100777
Same nozzle for Florajet and Rex Profi, thread M8x1, 1.3 mm brass	28502599-SB	100180
<b>Plastic adjustable nozzles</b>		
for Garden Star 3/5, Flower Power, Power Garden, Power LG	11859401-SB	040493
for Hobby Star 5	11323001-SB	121208
for Rondo-Matic 5	11323002	100883
for Rondo-Matic 5 P	11908801	110516
for Rondo-Matic 5 E	11908901	110523



12061201



11814001



11814101



10370601-SB



28502324-SB

Anti-drop-valve (1x anti-drop-valve, 1x adapter for anti-drop-valve)	12061201	150468
<b>Mist nozzles for hand sprayer</b>		
Mist nozzle for Fix with spiral insert, 0.8 mm	11814001	101002
Mist nozzle 0.5 mm complete for very fine spraying	11814101	101019
Mist nozzle 1.2 mm complete for rough spraying	11814201	101026
Mist nozzle for Florajet and Rex Profi with spiral insert, M8x1, brass	10370601-SB	100111
<b>Duro mist nozzle G1/4"</b>		
Duro mist nozzle 0.8 mm, brass *	28502321-SB	100135
Duro mist nozzle 1.0 mm, brass *	28502322-SB	100234
Duro mist nozzle 1.3 mm, brass - standard size for double nozzle holder *	28502323-SB	100258
Duro mist nozzle 1.5 mm, brass - standard size for Flox/Iris/Senior *	28502324-SB	100166
Duro mist nozzle 1.65 mm, brass - for white washing and special applications *	28502325-SB	100364



11612801-SB



11612802-SB



11612803-SB



11612804-SB



11612805-SB



11932703



11612810

<b>Fanjet nozzles complete G1/4"i, PP Viton</b>		
Fanjet nozzle G1/4"i, XR 8001 VS (orange)	11612801-SB	100289
Fanjet nozzle G1/4"i, XR 80015 VS (green)	11612802-SB	100296
Fanjet nozzle G1/4"i, XR 8002 VS (yellow)	11612803-SB	100302
Fanjet nozzle G1/4"i, XR 8003 VS (blue)	11612804-SB	100333
Fanjet nozzle G1/4"i, XR 8004 VS (red)	11612805-SB	100340
Fanjet nozzle G1/4"i, XR 8005 VS (brown)	11612806-SB	100357
Fanjet nozzle G1/4"i, XR 8006 VS (grey)	11612807-SB	100371
Fanjet nozzle G1/4"i, XR 8008 VS (white)	11612808-SB	100388
Fanjet nozzle G1/4"i, TP 8002 brass	11612810	110561
<b>Fanjet nozzles complete G1/4"i, PP</b>		
Fanjet nozzle G1/4"i, TPU 8002 PP Viton (grey)	11932703	400198
Fanjet nozzle G1/4"i, TPU 8002 PP EPDM (grey)	11947503	400181



12169801



NEW



12169801



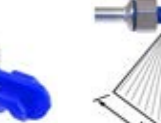
NEW



50142056



10501803-SB



<b>Special nozzles</b>		
Special nozzle ULV 015 (compression fitting)	12180901	055442
Special nozzle NF 125, G1/4"i	12094201	011424
Special nozzle NF 125 with quick coupling, for spray tube ø 8 mm	12169801	054063
Special nozzle MV 850 (nozzle holder see page 88)	50142056	010731
Special nozzle MV 425 (nozzle holder see page 88)	50142060	023755
Floodjet nozzle 1.6 mm, blue	10501803-SB	100241

\* Compatible with anti-drop-valve



11688702



11688701

Foam nozzle 45 cm bendable, fix  
12060401

Foam nozzle Clean-Matic 1.25 P/E, G3/8"	11688702	040530
Foam nozzle Clean-Matic 5 P/E, REB 15 DC1, G1/4"	11688701	040561
Foam nozzle 45 cm Foam-Matic 1.25 P/E	12060401	150444



12171701

NEW

Anti-drift 95% fanjet nozzle		
Anti-drift 95% fanjet nozzle, G1/4"	12171701	054261



12049601



12049701



12049801



50142053



50142054



50142072

NEW

AITXA 8001 VK (orange)	12049601	031897
AITXA 8002 VK (yellow)	12049701	031903
AITXA 8003 VK (blue)	12049801	031910

AIXR 110015 VP Viton (green)	50142053	720081
AIXR 11002 VP Viton (yellow)	50142054	720098
AIXR 11003 VP Viton (blue)	50142072	054797



50142004



50142021



50142022



50142023



50142024



50142025



50142026



50142027



11557002



11588702

XR 8001 VS (orange)	50142004	113302
XR 80015 VS (green)	50142021	113319
XR 8002 VS (yellow)	50142022	110332
XR 8003 VS (blue)	50142023	113326
XR 8004 VS (red)	50142024	113333
XR 8005 VS (brown)	50142025	113340
XR 8006 VS (grey)	50142026	113357
XR 8008 VS (white)	50142027	113128
TPU 8002 PP (grey)	11557002	110325
TP 8002 Ms	11588702	110301



11954601 / 11954701



12174701

NEW



11954801 / 12103101



12175201

NEW

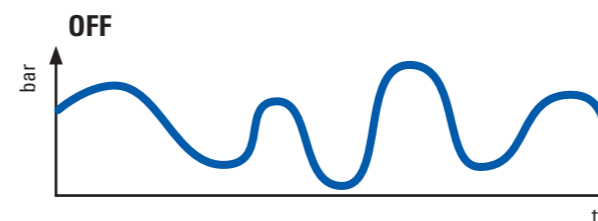
Nozzle holder G1/4"		
Nozzle holder PP Viton	11954601	400341
Nozzle holder PP EPDM	11954701	400358
Nozzle holder plastic G1/4"	12174701	054742
Nozzle holder brass G1/4"	11954801	400356
Nozzle holder nickel-plated brass G1/4"	12103101	012520
Nozzle holder nickel-plated brass, compression fitting, for spray tube ø 8 mm	12175201	054803



12098901-SB / PR 3 E1



12140001 / PR 3 P1



Pressure control valves		
Pressure control valve PR 3 E1 (adjustable 1-3 bar)	12098901-SB	011929
Pressure control valve PR 3 P1 (adjustable 1-3 bar)	12140001	038223
Box pressure control valve PR 3 E1 (TU 10 pcs)	12113501	013572
Pressure control valve PR 3 P1 set, consisting of pressure control valve PR 3 P1, double nipple a3/4"-a1/2", hose line 1.5 m (for Profi Star 5, versions bevor 2022)	12099201	011950
Pressure regulator with pressure gauge, 0 to 10 bar	11485201	100685



12006401



28402599-SB



28402699-SB

Double nozzle holder SW, thread G1/4" *	12006401	031798
Double nozzle swivel holder, G1/4"	28402599-SB	100074
Single nozzle swivel holder, G1/4"	28402699-SB	100081
<b>Spare parts</b>		
Gasket set for nozzle swivel holder	11642301-SB	040004
Gasket 17x12.7x2 (PE) for all G1/4"; 10 pcs. per pack	11642403	040035



10500503-SB

Bend, thread G1/4"-G1/4"e	10500503-SB	100098
<b>Spare parts</b>		
Gasket 17x12.7x2 (PE) for all G1/4"; 10 pcs. per pack	11642403	040035



11801501



12022601

Stainless steel hand-Cart		
Stainless steel hand-cart H1	11801501	110745
Stainless steel hand-cart H2	12022601	720623

\* Compatible with anti-drop-valve (see page 87)



12124201



11935701

Spiral hose, blue 2 m, G1/2"-G1/2" (max. 11 bar)	12124201	014760
Spiral hose, black 7.5 m, G1/2"-G1/2" (max. 10 bar)	11935701	028583



10397901-SB

Swivel joint G1/2", keeps hose from twisting	10397901-SB	700502
--	-------------	--------



10500201



10500203



10500204

Hose screwing		
Screwing with hexagonal screw, G1/4" for 8 mm hose	10500201	700380
Screwing with hexagonal screw, G1/2" for 8 mm hose	10500203	700397
Screwing with hexagonal screw, G1/2" for 10 mm hose	10500204	701455



10396101



10396102



10396103

Screwing with plastic nut, swiveling, G1/2" for 8 mm hose		
Screwing NBR	10396101	700519
Screwing FPM	10396102	700526
Screwing EPDM	10396103	053264



80400701



80601301-SB



80400801



80400101



80002503



11479101

Double nipples and reducers		
Double ended connection G1/2"-G1/2"e	80400701	700588
Double ended connection G1/4"-G1/4"i	80601301-SB	100449
Double ended connection G1/4"-G1/4"e	80400101	700564
Double ended connection G1/2"-G1/4"e	80400801	700656
Reducer G1/2"-G1/4"e, nickled	80002503	710853
2 Adapters: G1/4"-M11x1e und G1/4"-M11x1e	11687601	113272
Adapter PP brass nickel, G1/4"-G3/8"	11479101	400983



50134548



50134547



50134549



50134553



50134552

Hose clamps with insert ring		
Hose clamp ø14.5 mm with insert ring, minimum order qty. 5 pcs	50134548	150338
Hose clamp ø16.0 mm with insert ring, minimum order qty. 5 pcs	50134547	150321
Hose clamp ø17.5 mm with insert ring, minimum order qty. 5 pcs	50134549	150345
Hose clamp ø18.5 mm with insert ring, minimum order qty. 5 pcs	50134553	150369
Hose clamp ø19.5 mm with insert ring, minimum order qty. 5 pcs	50134552	150352

## General Terms and Conditions of Sale

### 1. General

1.1 These terms and conditions are binding if they have been declared as applicable in the quotation of order confirmation.

Terms and conditions of the Orderer in which provisions contrary to these Terms and Conditions are set forth are only valid if they have been expressly accepted by Birchmeier Sprühtechnik AG (hereinafter referred to as Birchmeier) in writing.

1.2 The sole binding document is the written order confirmation. If an order confirmation is not issued by Birchmeier, the invoice shall simultaneously serve as the order confirmation.

1.3 The validity of all agreements and statements of legal relevance made by the Parties to said agreements and statements being set forth in written form.

1.4 The general privacy policy can be found on our website.

### 2. Technical documents

2.1 Without stipulations to the contrary no brochures or other agreements are binding. Data given in technical documents are only of binding character to the extent that they have been expressly affirmed in a written agreement or a written order confirmation.

2.2 Birchmeier reserves all rights to the technical documents which it has provided to the Orderer.

The possession of said documents does not entitle the holder to the reproduction of apparatus, components or parts thereof.

### 3. Confidentiality

Each and every Party to the contract shall maintain confidential the manufacturing, experience and business secrets of the other Party to the contract which are rendered accessible or otherwise become known to said Party.

### 4. Prices

The prices shall be construed as net prices ex works according to the provisions of INCOTERMS, excluding value-added tax and transport packing. All ancillary costs such as freight and insurance, export, transit, import and other permits and certifications shall be borne by the Orderer. The Orderer shall also bear all types of taxes, levies, fees, customs duties and the like which are charged in connection with the contract or remunerate them to Birchmeier against the respective vouchers in the event that said charges have to be paid by Birchmeier.

### 5. Terms of payment

5.1 The payments shall be made according to the conditions set forth in the order confirmation or invoice. The payment obligation shall be deemed as having been fulfilled when the entire price for the goods agreed upon has been paid to Birchmeier.

5.2 No interest will be paid on advance payments.

5.3 If the Orderer does not adhere to the terms of payment which have been agreed upon, Birchmeier will charge without special notice payment-deferral interest, the amount of which shall be governed by the capital procurement costs in the country of the Orderer, but shall be at least 5% p.a.

5.4 The retention or reduction of the payments due to complaints, disputes or other not expressly accepted objections of the Orderer are inadmissible.

### 6. Delivery period

6.1 The delivery period starts as soon as the contract is concluded, the scope of delivery and specifications have been clarified and the payments to be made and securities to be provided have been effected. The delivery period shall be construed as having been adhered to if the Orderer has been notified of the readiness to despatch prior to the elapse of the delivery period.

6.2 The adherence to the delivery period is subject to the fulfillment of the contractual obligations of the Orderer.

### 7. Transfer of right of use and risk

7.1 The right of use and risk are transferred to the Orderer at the time of shipping of the consignment from the factory.

7.2 If the shipping is delayed at the request of the Orderer or for other reasons for which Birchmeier cannot be held accountable, the risk is transferred to the Orderer at the time originally scheduled for shipment from the factory. From this time on, the consignment will be stored and insured for the account of and the risk of the Orderer.

### 8. Testing and acceptance of equipment and performances

8.1 Birchmeier will test the equipment and performances to the extent customary prior to shipping. If the Orderer stipulates tests extending beyond the customary tests, said tests are subjects to special agreement and shall be paid for by the Orderer.

8.2 The Orderer shall test the equipment and performances and shall immediately notify Birchmeier of any deficiencies found in writing a period of 8 days. If the Orderer neglects to do so, the equipment delivered and the performances of said equipment shall be construed as having been accepted by the Orderer.

Birchmeier shall be notified of any concealed deficiencies immediately after they are discovered.

8.3 Birchmeier undertakes to rectify the deficiencies immediately of which it is informed in accordance with section 8.2 as quickly as possible. To this end, the Orderer undertakes to accord Birchmeier the opportunity to carry out the rectification.

8.4 With the exception of the right and rights to claims expressly stated in section 9 (guarantee, warranty for deficiencies) the Orderer shall not derive any rights to claims as result of deficiencies of any kind with regard to equipment and performances.

### 9. Guarantee, warranty for deficiencies

9.1 Guarantee period

The guarantee period has a term of 12 months starting with the shipping of the equipment from the factory. The guarantee becomes prematurely null and void if the Orderer or third parties makes inappropriate alternations or repairs or, in the event of a deficiency, if the Orderer fails to take appropriate immediate action for the purpose of minimizing damage and to afford Birchmeier the opportunity to rectify the deficiency.

9.2 Warranty for deficiencies of material, designs and workmanship  
In the event of deficiencies in the delivered materials the warranty rights are limited by a deficient-free object or to reworking within an appropriate period to be or to the issuing of a credit note, at Birchmeier's option.

9.3 Guarantee for guaranteed characteristics  
Guaranteed characteristics are only such characteristics which have been designed as such in the written specifications. The guarantee is valid at the longest up until the time the guarantee period has elapsed.

9.4 Exclusion of warranty for deficiencies  
Excluded from the warranty and guarantee are damages which cannot verifiably be attributed to poor material, faulty design or poor workmanship, e.g. damages due to natural wear, inadequate maintenance/cleaning, neglect of observation of the operating instructions, excessive use, use of inappropriate media, chemical or electrolytic action, as well as other reasons.

9.5 Exclusivity of guarantee and warranty claims

With the exceptions of the right and right to claims expressly stated in sections 9.1 to 9.4 the Orderer has no other rights or right to claims due to deficiencies in material, design

or workmanship or due to the lack of the guarantee characteristics.

### 10. Exclusion of further liabilities

With the exception of the right to claims expressly stated in these General Terms of Quotations and Deliveries further rights to claim of the Orderer are excluded, in particular to cancellation or to compensation of damages of any kind, and also of damages that have not occurred on the supplied equipment itself. All exclusions from guarantees and warranties shall only be applicable to the extent that Birchmeier or its top management cannot be rightfully accused of deliberate wrongdoing, gross negligence or violation of substantial contractual obligations. In the latter case Birchmeier makes a warranty with the exception of cases of deliberate wrongdoing or gross negligence of Birchmeier or its top management – only for contract-typical, reasonably foreseeable damages.

The exclusion from liability shall also be invalid in cases in which according to the law on product liabilities a liability exists in the case of deficient materials for injury to persons or damage to privately used objects.

The exclusion from guarantee shall also be invalid in cases in which an expressly guaranteed characteristic is missing. In this case the scope of the guarantee shall be governed by the provisions of section 9.3. In the case of guaranteed characteristics the liability for damages which have not occurred on the delivered equipment itself is governed exclusively by section 9.3.

### 11. Minimum invoicing amount/ minimum order quantities

The minimum order amount per invoice will be CHF 30.– related to the net value of the product, excluding freight costs, packing and VAT. For orders below CHF 30.– we will add an additional handling charge of CHF 20.–. The minimum order quantities defined in the sales documentation are applicable as binding minimum order quantities.

### 12. Applicable law/venue

The legal relationship shall be governed by Swiss law.

Both Parties expressly recognize Baden as the venue for any and all disputes arising from this legal relationship.

Birchmeier Sprühtechnik AG  
Im Stetterfeld 1  
Postfach  
5608 Stetten (Switzerland)  
Phone +41 (0)56 485 81 81

Stetten, November 2024

## SMART UND SWISS

Products from Birchmeier

Since 1876 Birchmeier has been manufacturing high quality sprayers, foamers and dosing units for gardeners, farmers, trade and industry. Functional and durable quality for demanding users.



### What we offer

- Leading product quality for professionals and private individuals.

- Wide range of sprayers, foamers, dispensers and spreaders, plus an extensive range of accessories to guarantee optimal solutions.
- Broad marketing and sales support.
- Powerful logistics for seasonal demands.
- Innovative products developed by us for maximum customer benefit.



For us «Made in Switzerland» is a commitment to deliver quality and reliability. We have always developed, manufactured and assembled our products in Switzerland. Since 1876.

### 10 Years

Spare part and Service Guarantee

Repairs and maintenance! We guarantee the supply of spare parts for up to 10 years, so our customers are sure to benefit long-term from the quality of Birchmeier products. Comprehensive range of spare parts and accessories for optimum operation and maximum service life.

**Birchmeier – Your competent partner for sprayers, foamers, spreaders and dosing units.**

Your Birchmeier distributor

## BIRCHMEIER®

Birchmeier Sprühtechnik AG  
Im Stetterfeld 1  
5608 Stetten  
Schweiz

Telefon +41 56 485 81 81

info@birchmeier.com



[www.birchmeier.com](http://www.birchmeier.com)